

Robust Joystick J4 Base

Robust, top mounted.

The J4 robust joystick is ideal for high-stress and high-frequency use thanks to its robust design. It was designed for use in mobile machinery, such as wheel loaders for operating the bucket functions.

Technical specifications

- Robust joystick for installation from above
- Space-saving design
- High reliability and long service life thanks to contactless Hall-effect and reed technology
- Available with different output signals: analogue, redundant, CAN bus connection (CANopen/SAEJ1939) or with switching output
- IP67 protection class of electronics, ideal for harsh environmental conditions
- Deflection $\pm 20^\circ$
- Available with various actuation types: no-detent, detent, with friction brake or centre position interlock, any function can be optimally operated
- Designed for extremely heavy loads (x-/y-axis: 2000 N, z-axis: 700 N at 190 mm lever length each)

Technical drawing

IMAGE 1/3

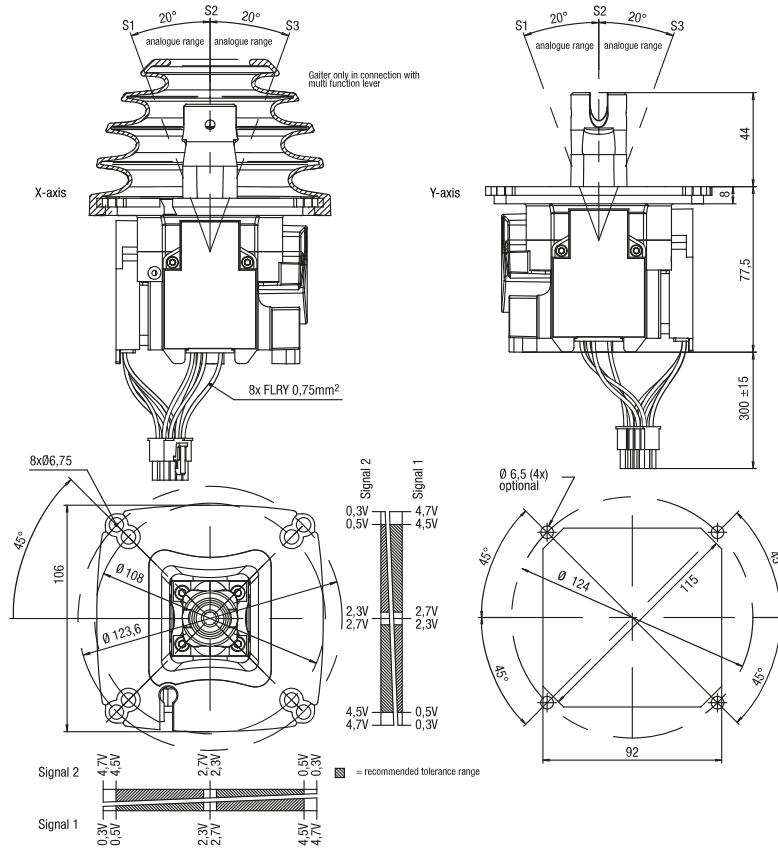
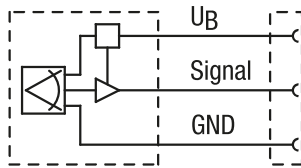


IMAGE 2/3

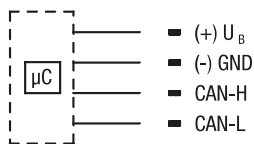
Standard

Analogue each X- and Y-axis



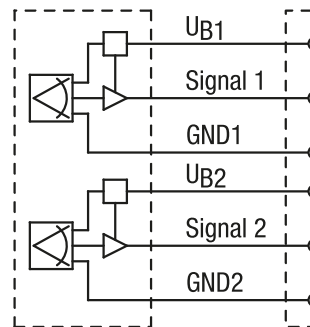
CAN

CAN

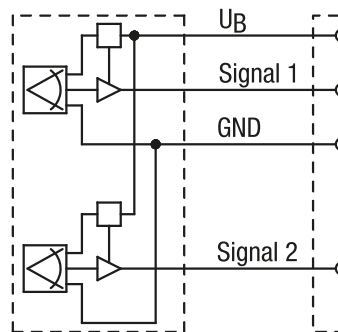


Optional

Redundant each X- und Y-axis



Semi-redundant each X- and Y-axis



Switching output each X- and Y-axis

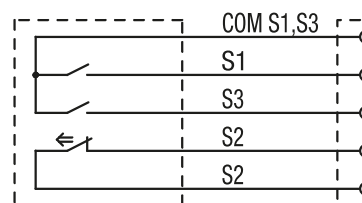
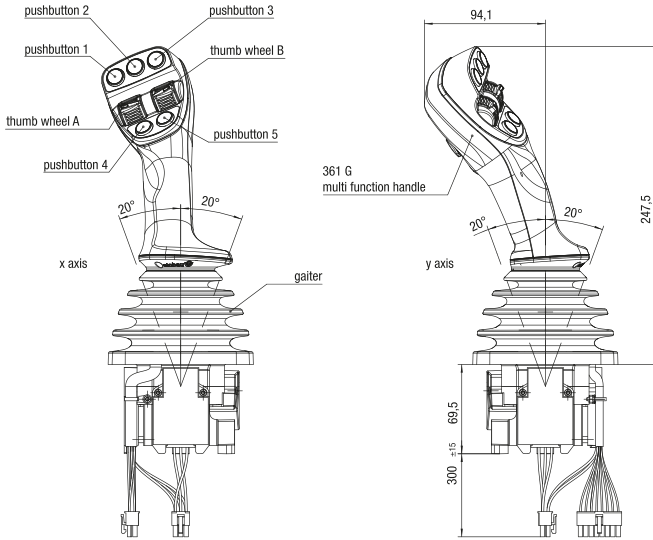
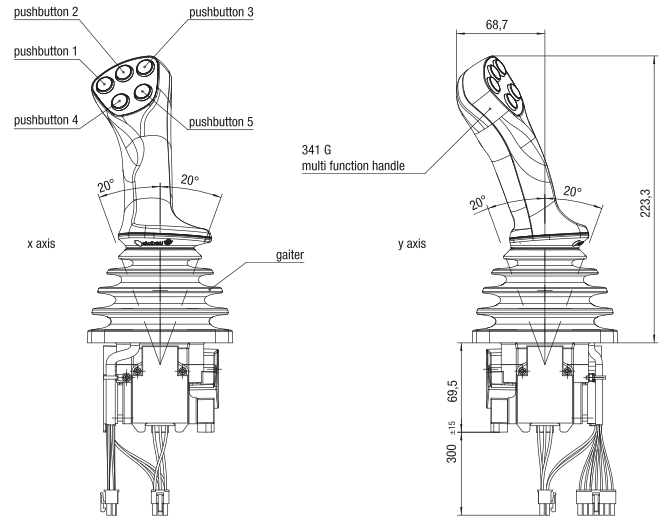


IMAGE 3/3

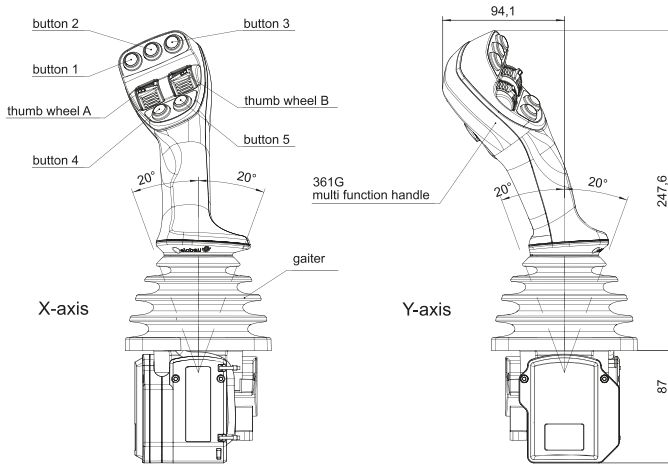
J4 joystick with Multi-function handle 361G...



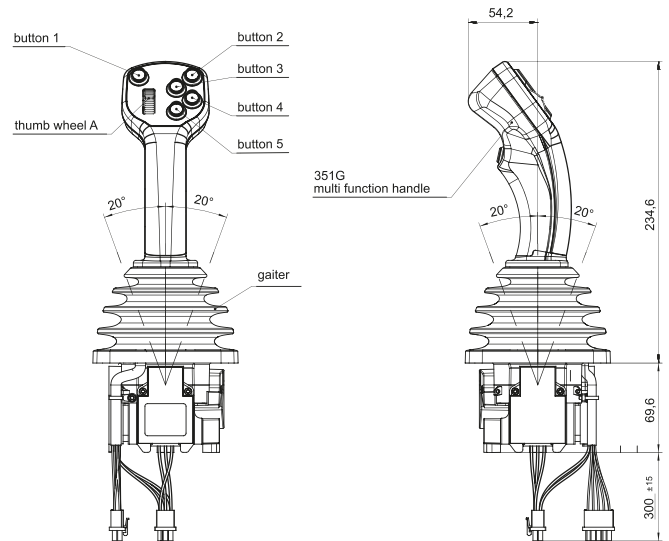
J4 joystick with Multi-function handle 341G...



J4 joystick with CAN electronics und Multi-function handle 361G



J4 joystick with Multi-function handle 351G



Article characteristics

| Attribute | J4A6... | J4C6...CANopen | J4C6...SAE_J1939 |
|---|--------------------------------|----------------|------------------|
| Polarity reversal protection | yes | - | - |
| Output signal min. | 0.5 V DC | - | - |
| Output signal max. | 4.5 V DC | - | - |
| Output signal | analogue | - | - |
| Output signal - centre position/zero position | 2.5 V DC | - | - |
| EMC immunity (Norm) | DIN EN 13309, DIN EN ISO 14982 | - | - |
| EMC emission (Norm) | DIN EN 13309, DIN EN ISO 14982 | - | - |
| Operating voltage min. | 4.5 V DC | - | 9 V DC |
| Operating voltage max. | 5.5 V DC | - | 36 V DC |
| Current consumption | max. 15 mA | - | 120 mA |
| Load resistance min. | 20000 Ohm | - | - |
| Short-circuit resistance to GND | yes | - | - |
| Short-circuit resistance to supply | yes | - | - |
| Technology | Hall | | |
| Protocol | - | CANopen | J1939 |
| Transmitting cycle | - | - | 100 ms |
| Baud rate | - | - | 250 kBit/s |
| Bus terminating resistor | - | - | no |
| Max. lever load with specified lever length | 190 mm / 2000 N | | |
| Deflection | ± 20 ° | | |
| Service life, mechanical (Cycles) | 2000000 | | |
| Protection class, electronic | IP67 DIN EN 60529 | | |
| Operating temperature min. | -25 °C | | |
| Max. operating temperature | 85 °C | | |
| Min. storage temperature | -40 °C | | |
| Max. storage temperature | 85 °C | | |
| Installation | from above | | |
| Mounting type | screwed from above | | |
| Connector type | Mini-Fit Jr. | - | - |
| Cable type | FLRY | | |

Article characteristics

| Attribute | J4A6... | J4C6...CANopen | J4C6...SAE_J1939 |
|---------------------|----------------|-----------------------|-------------------------|
| Cable length | 0.3 m | | - |