



Robust Joystick J4F

With safety electronics, installation from above

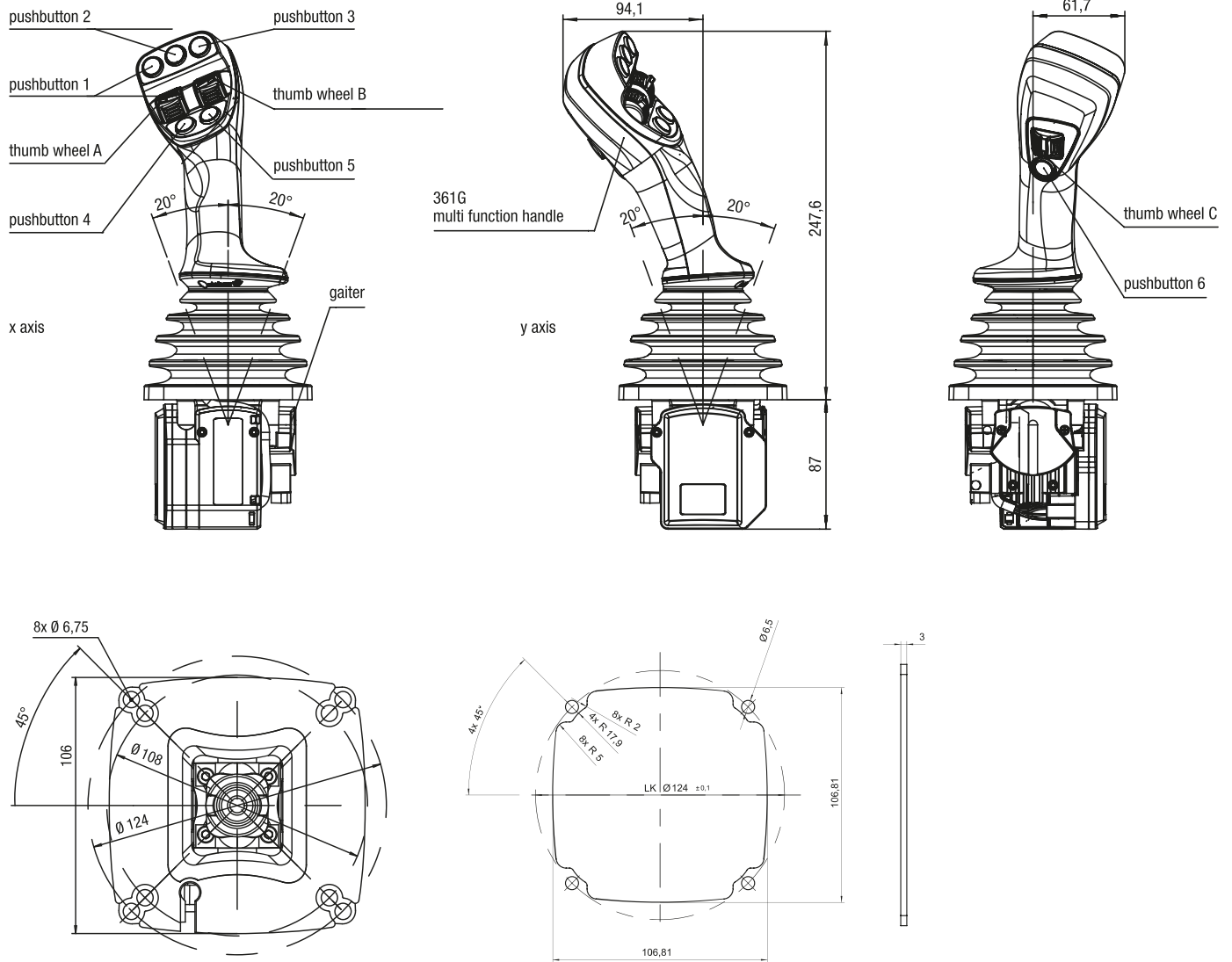
The robustly designed Heavy duty joystick J4F with safety electronics has been developed and certified in accordance with EN ISO 13849-1, EN ISO 13849-2 and in accordance with DIN EN 61508-1. This allows manufacturers of municipal vehicles and off-highway vehicles such as agricultural and construction machinery to avoid additional risk and failure probability calculations, and can reduce their documentation requirements as a result. Even safety-critical vehicle functions such as the direction of travel can be controlled.

Technical specifications

- Joystick and thumbwheel signals SIL 2 / PL d (cat. 3), push button SIL 1 / PL c
- High reliability and long service life thanks to contactless reed and Hall-effect technology
- Joystick CAN module robust with IP67 electronics protection class, ideal for outdoor use
- Direct mounting of electronics module onto joystick ensures minimum space requirement
- Handle available with micro push button switches for use outside of the cabin
- Modular construction of the handle enables application-specific modification
- Ergonomic handle shape ensures fatigue-free operation

Technical drawing

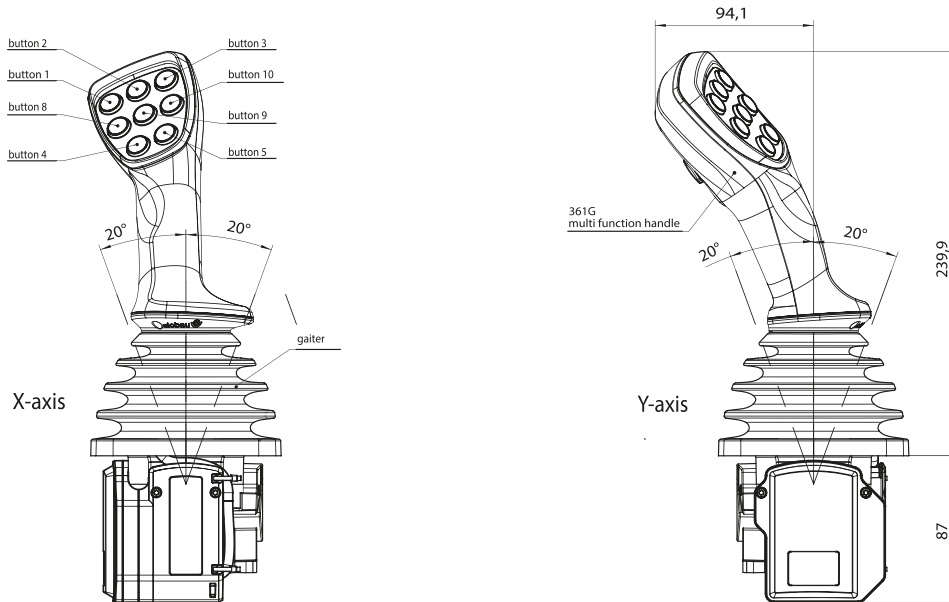
IMAGE 1/2



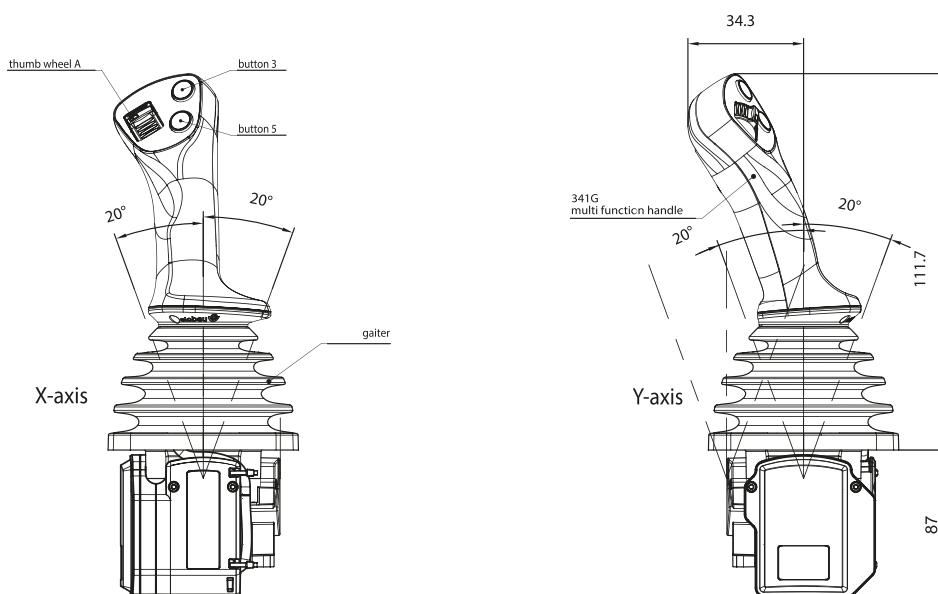
Installation opening only in combination with gaiter

IMAGE 2/2

J4F with Multi-function handle 361G, front control module with 8 push buttons



J4F with Multi-function handle 341G, front control module with thumbwheel and 2 push buttons



Article characteristics

Attribute	J4F...
Operating voltage min.	9 V DC
Operating voltage max.	32 V DC
Current consumption	400 mA
Fieldbus system	CAN
Protocol	J1939
Transmitting cycle	15 ms
Baud rate	250 kBit/s
Max. lever load with specified lever length	190 mm / 2000 N
Deflection	± 20 °
Service life, mechanical (Cycles)	2000000
Operating temperature min.	-25 °C
Max. operating temperature	85 °C
Min. storage temperature	-40 °C
Max. storage temperature	85 °C
Installation	from above
Mounting type	screwed from above
Connector type	Deutsch DT04-6P