



Rocker Switch 145DW

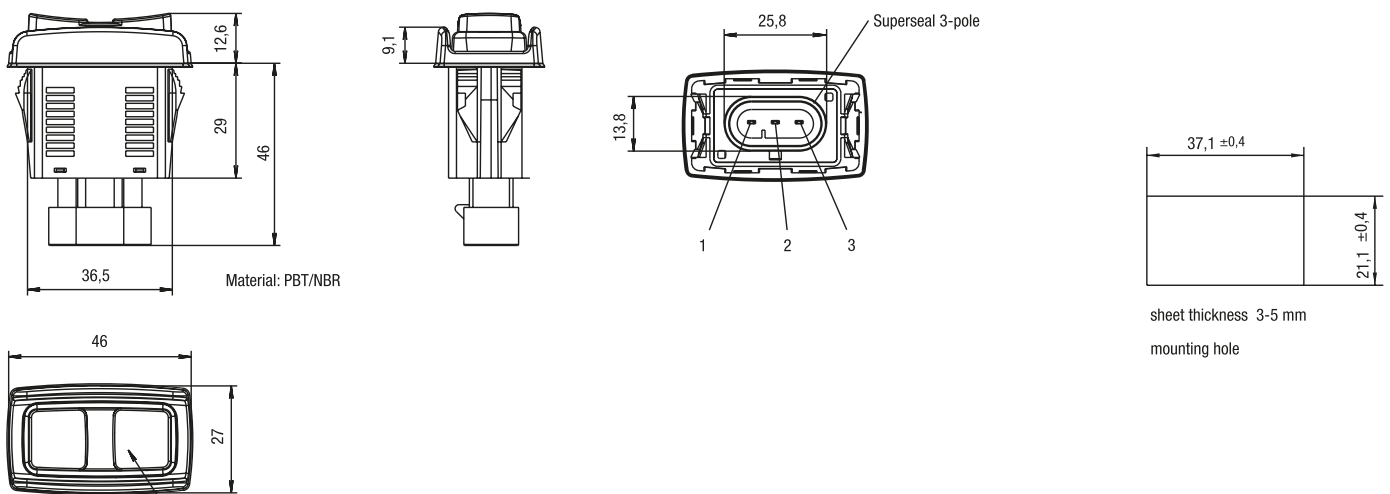
Rocker Switch 145DW is equipped with snap-in mountings for fast installation. elobau's double push button switches are designed for applications in which only low currents flow, and therefore a mechanical switch cannot be used. Rocker Switch 145DW is ideal for control panels and armrests in agricultural and construction machinery. The switching element, which is completely separated from the mechanics, resists dust, dirt and moisture, thanks to its IP67 protection class.

Technical specifications

- Long service life thanks to the magnetic actuation principle with reed contacts
- Various symbols available
- Wear-free reed contacts for low switching currents
- 3mm button stroke
- IP67 protection class for harsh environmental conditions
- Fast and simple installation by means of snap-in mountings
- Connection with 3-pole Superseal connection; robust and sealed

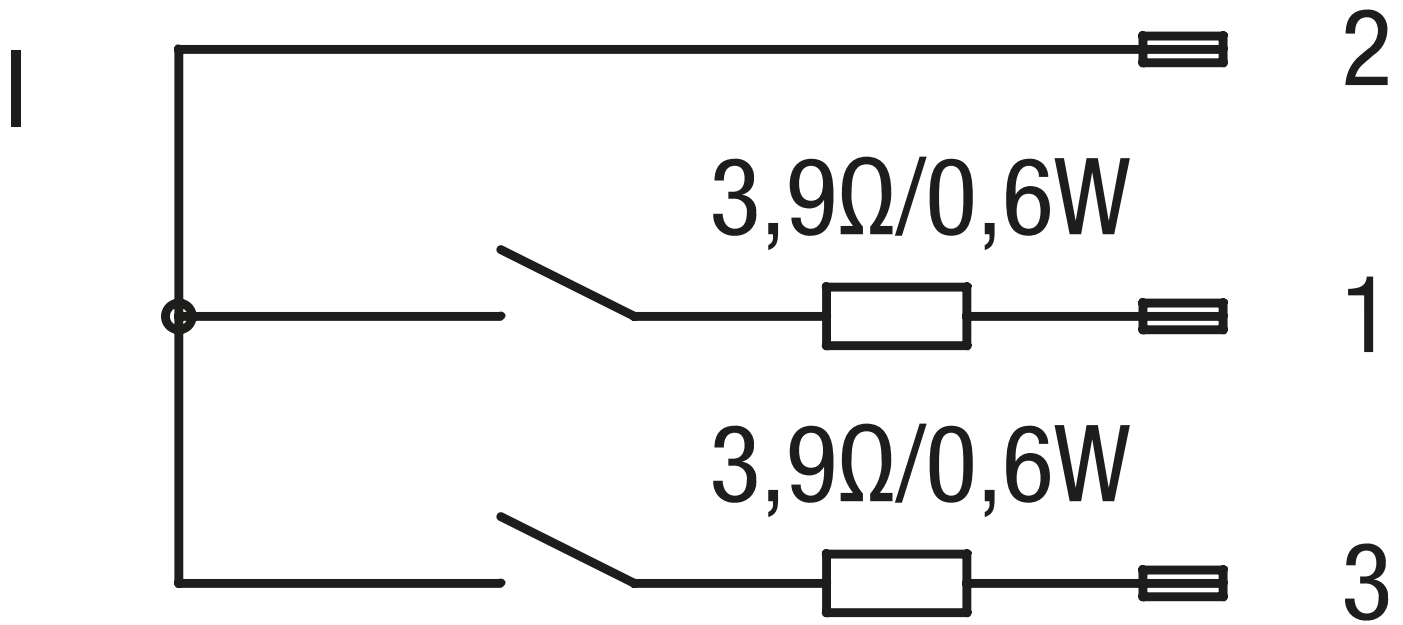
Technical drawing

IMAGE 1/2



Push button cap colour black – Symbol according to customer request

IMAGE 2/2



Article characteristics

Attribute	145DW40A...
Max. switching voltage	36 V DC
Max. switching current	0.5 A
Max. switching power	10 W
Max. switching power	10 VA
Contact form	NO
Protection class, electronic	IP67 DIN EN 60529
Operating temperature min.	-35 °C
Max. operating temperature	70 °C
Min. storage temperature	-35 °C
Max. storage temperature	70 °C
Installation	from above
Mounting type	inserted/latched
Connector type	AMP-Super-Seal