



## Safety sensor 114

The 114 series is a simple, compact solution that is ideally suited for tight spaces. This series can be controlled from multiple offering various mounting options, e.g. for installation in guard door profiles.

### Technical specifications

- Extremely flat housing
- Available connection types: cable outlet and M8 housing connector
- Simple diagnosis through control contact

### Technical drawing

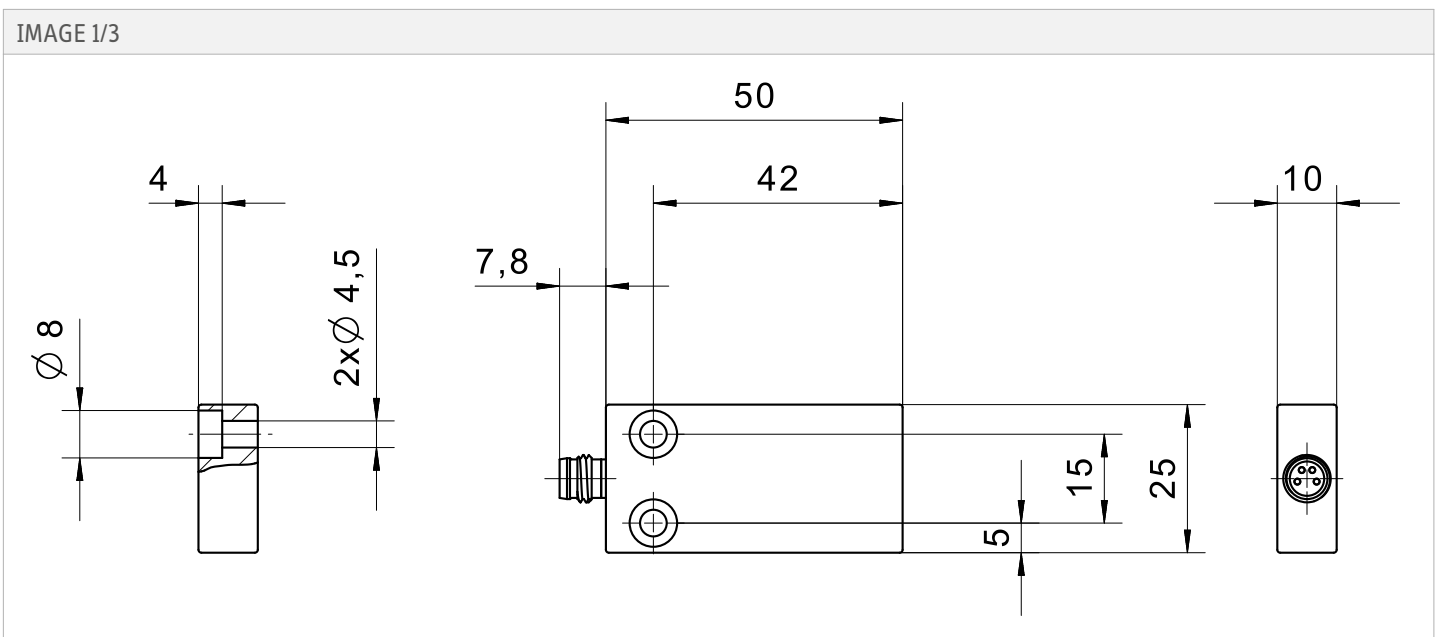
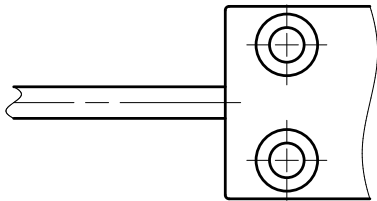


IMAGE 2/3



**male M8**

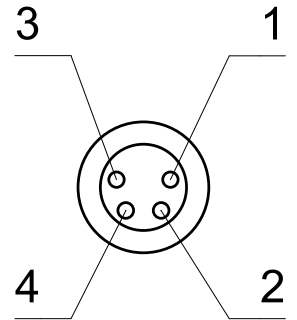
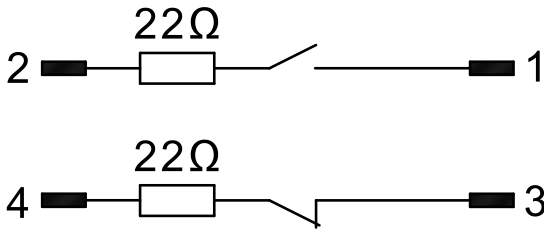
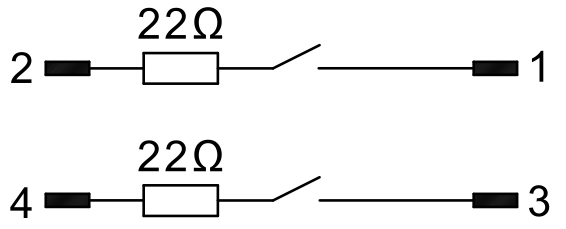


IMAGE 3/3

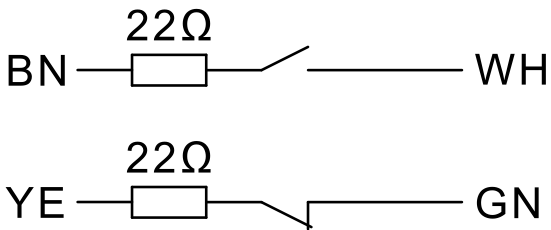
114270A0D



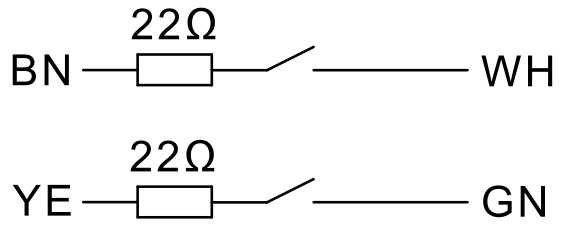
114V62A0D



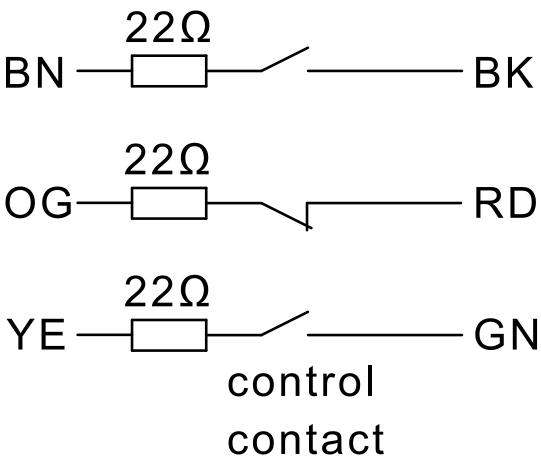
114270



114V62

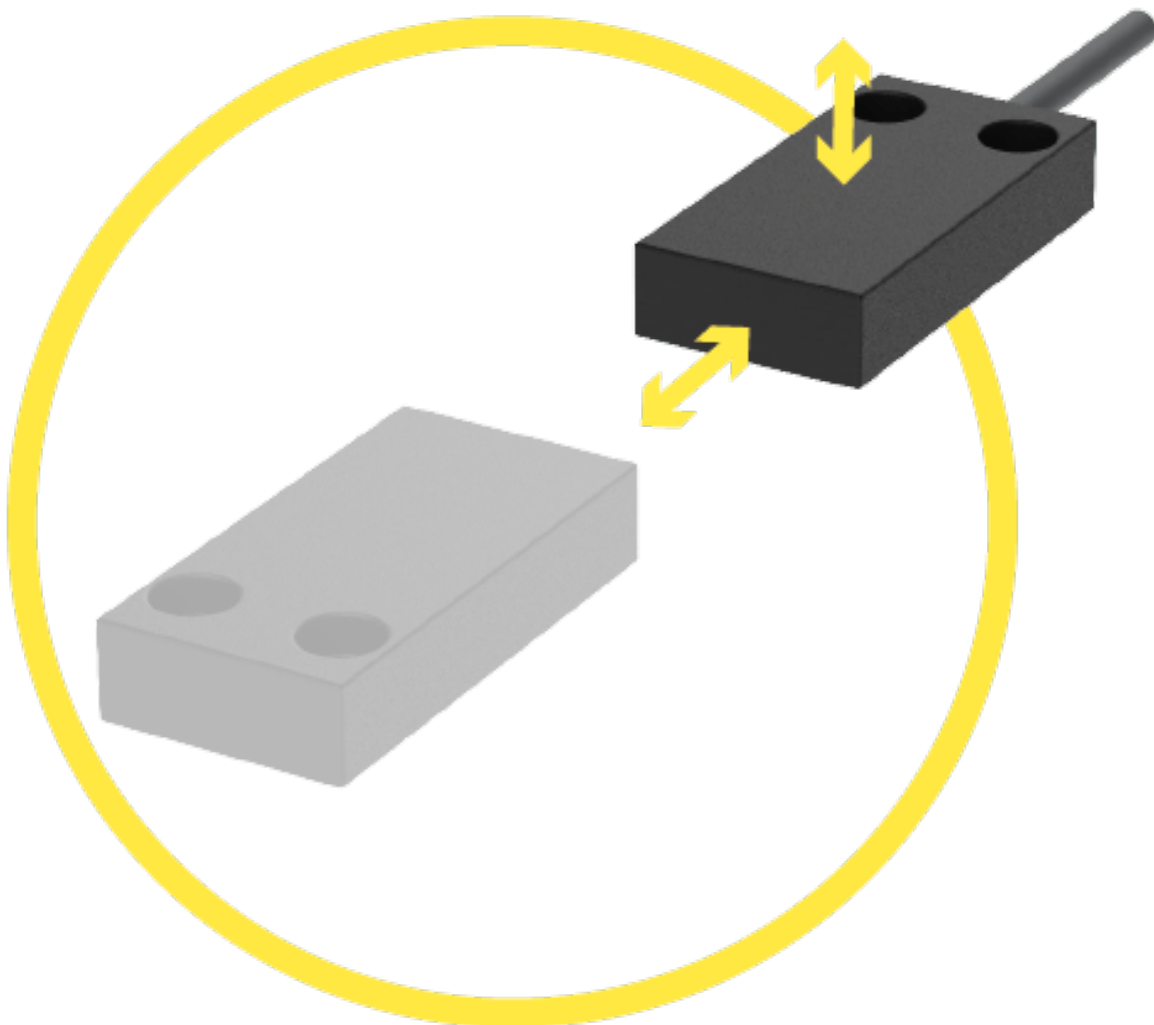


114570



### Product options

IMAGE 1/3



Suitable for front and top actuation. Offset depending on magnet system: max. XXX mm vertical and XXX mm horizontal. Front and top actuation. Operating distance ( $S_{ao}$ ) from 2 to 7 mm. Assured switch-off distance ( $S_{ar}$ ) from 12 to 22 mm.

IMAGE 2/3

**ORDERING KEY**

	114V62	114V62A0D	114270
<b>Cubic plastic housing</b>	X	X	X
<b>M8x1 connector, 4-pin, nickel-plated brass</b>	-	X	-
<b>Connection cable 1m*</b>	X	-	X
<b>N.O./N.O. contacts</b>	X	X	-
<b>N.O./N.C. contacts</b>	-	-	X
<b>Additional N.O. control contact</b>	-	-	-
<b>Coded</b>	X	X	X
<b>Uncoded</b>	-	-	-

	114270A0D	114570
<b>Cubic plastic housing</b>	X	X
<b>M8x1 connector, 4-pin, nickel-plated brass</b>	X	-
<b>Connection cable 1m*</b>	-	X
<b>N.O./N.O. contacts</b>	-	-
<b>N.O./N.C. contacts</b>	X	X
<b>Additional N.O. control contact</b>	-	X
<b>Coded</b>	X	X
<b>Uncoded</b>	-	-

\* Other cable lengths, cable materials and connector types on request

IMAGE 3/3

**MATCHING ACTUATORS**

Actuators	114V62			114V62A0D			114270			114270A0D			114570		
	S <sub>0_min</sub>	S <sub>ao</sub>	S <sub>ar</sub>	S <sub>0_min</sub>	S <sub>ao</sub>	S <sub>ar</sub>	S <sub>0_min</sub>	S <sub>ao</sub>	S <sub>ar</sub>	S <sub>0_min</sub>	S <sub>ao</sub>	S <sub>ar</sub>	S <sub>0_min</sub>	S <sub>ao</sub>	S <sub>ar</sub>
<b>304 275 02<sup>A</sup></b>	0.5	7	15	0.5	7	15	0.5	7	19	0.5	7	19	0.5	4	22
<b>304 275 02<sup>B</sup></b>	0.5	8	12	0.5	8	12	-	-	-	-	-	-	-	-	-
<b>304 275 02<sup>C</sup></b>	0.5	8	12	0.5	8	12	0.5	7	17	0.5	7	17	0.5	4	20
<b>304 275 32<sup>D</sup></b>	0.5	4	13	0.5	4	13	0.5	2.5	14	0.5	2.5	14	0.5	2	14

S<sub>0\_min</sub> = minimum switching distance (mm), S<sub>ao</sub> = operating distance (mm), S<sub>ar</sub> = assured switch-off distance (mm)

<sup>A</sup> Actuation direction: one above the other / parallel, <sup>B</sup> Actuation direction: one above the other / lateral (from connection side), <sup>C</sup> Actuation direction: one above the other / lateral (from opposite connection side), <sup>D</sup> Actuation direction: front

### Article characteristics

Attribute	114V62A0D	114270A0D	114V62	114270	114570
Min. switching voltage	19.2 V DC				
Max. switching voltage	28.8 V DC				
Max. switching current	0.1 A				
Max. switching power	3 W				
Switching frequency	5 Hz				
Assured switching distance (Sao)	7 mm				4 mm
Assured switch-off distance (Sar)	15 mm	19 mm	15 mm	19 mm	22 mm
Minimum switching distance (S0 min)	0.5 mm				
LED display	No				
Actuation	front				
Switching principle	magnetic				
Series resistor	22 Ohm				
Technology	Reed				
Contact form	NO/NO	NO/NC	NO/NO	NO/NC	NO/NC/NO (Kontrollkontakt)
Pollution degree	3				
Protection class	III				
Coding acc. to EN ISO 14119	Low				
B10d acc. to EN ISO 13849-1	20000000				
Type acc. to EN ISO 14119	4				
Mission time in years	20 a				
Structure acc. to EN ISO 13849-1	Two-channel				
Housing design	rectangular				
Dimensions	50 x 25 x 10 mm			25 x 50 x 10 mm	50 x 25 x 10 mm
cannot be mounted flush	yes				
Detent present	no				
Housing material	PBT				
Cable material	-		PVC		
Housing colour	schwarz				
Protection class	IP67 DIN EN 60529				
Protection class, connector	IP67 DIN EN 60529 (screwed) - IP65 DIN EN 60529 (plugged)		-		

### Article characteristics

Attribute	114V62A0D	114270A0D	114V62	114270	114570
Operating temperature min.	-25 °C				
Max. operating temperature	75 °C				
Min. cable temperature range, moving	5 °C	-	5 °C	-10 °C	-
Max. cable temperature range, moving	70 °C	-	70 °C	105 °C	-
Min. cable temperature range, fixed installation	25 °C	-	25 °C	-30 °C	-
Max. cable temperature range, fixed installation	70 °C	-	70 °C	105 °C	-
Shock resistance (Norm)	30g / 11ms				
Vibration resistance (Norm)	10 - 55Hz				
Min. storage temperature	-25 °C				
Max. storage temperature	75 °C				
Mounting type	screwed				
Installation	arbitrary				
Weight	47 g	22 g	47 g	-	-
Connector type	M8x1 - 4 polig		-		
Cable length	-		1 m		
Number of strands	-		4	6	
Wire cross section	-		0.25 mm <sup>2</sup>	0.14 mm <sup>2</sup>	
Cable type	LIYY 4x0,25	-	LIYY 4x0,25	-	
Cable colour	grau	-	grau	-	
Certified in accordance with	ETL				-
CE label	yes				
Possible actuators	30427532				