



Safety sensor 122MSV

The smallest type of cylindrical safety sensors from elobau – these sensors can hold their own despite their small size. The completely sealed stainless steel housing can withstand even intense cleaning with aggressive media at extreme temperatures (from -25 °C to +80 °C, IP6K9K protection class).

A reliable switching function is guaranteed by the large operating distance of up to 9.5 mm. In this age of miniaturization, it's the perfect solution for the hygienic environment of the food and packaging industry.

Technical specifications

- High offset values allow flexible installation
- Protection class IP6K9K, ideal for wash down applications
- Available connection types: M12 housing connector
- Matching actuator in M12 housing – 122MBV100

Technical drawing

IMAGE 1/3

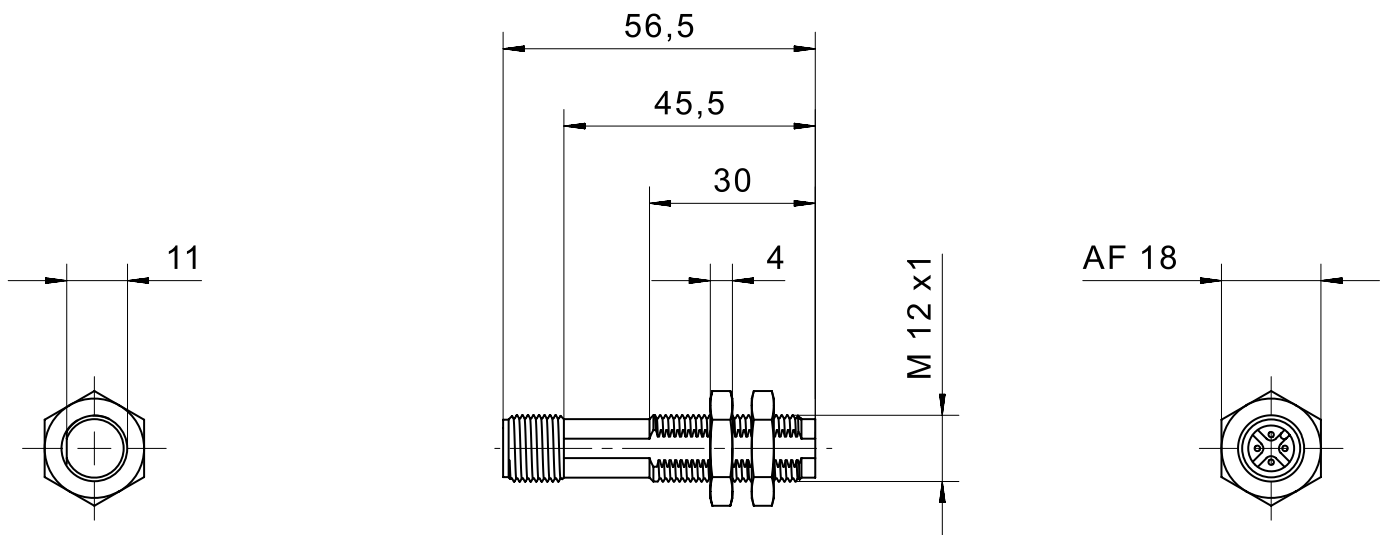


IMAGE 2/3

male M12

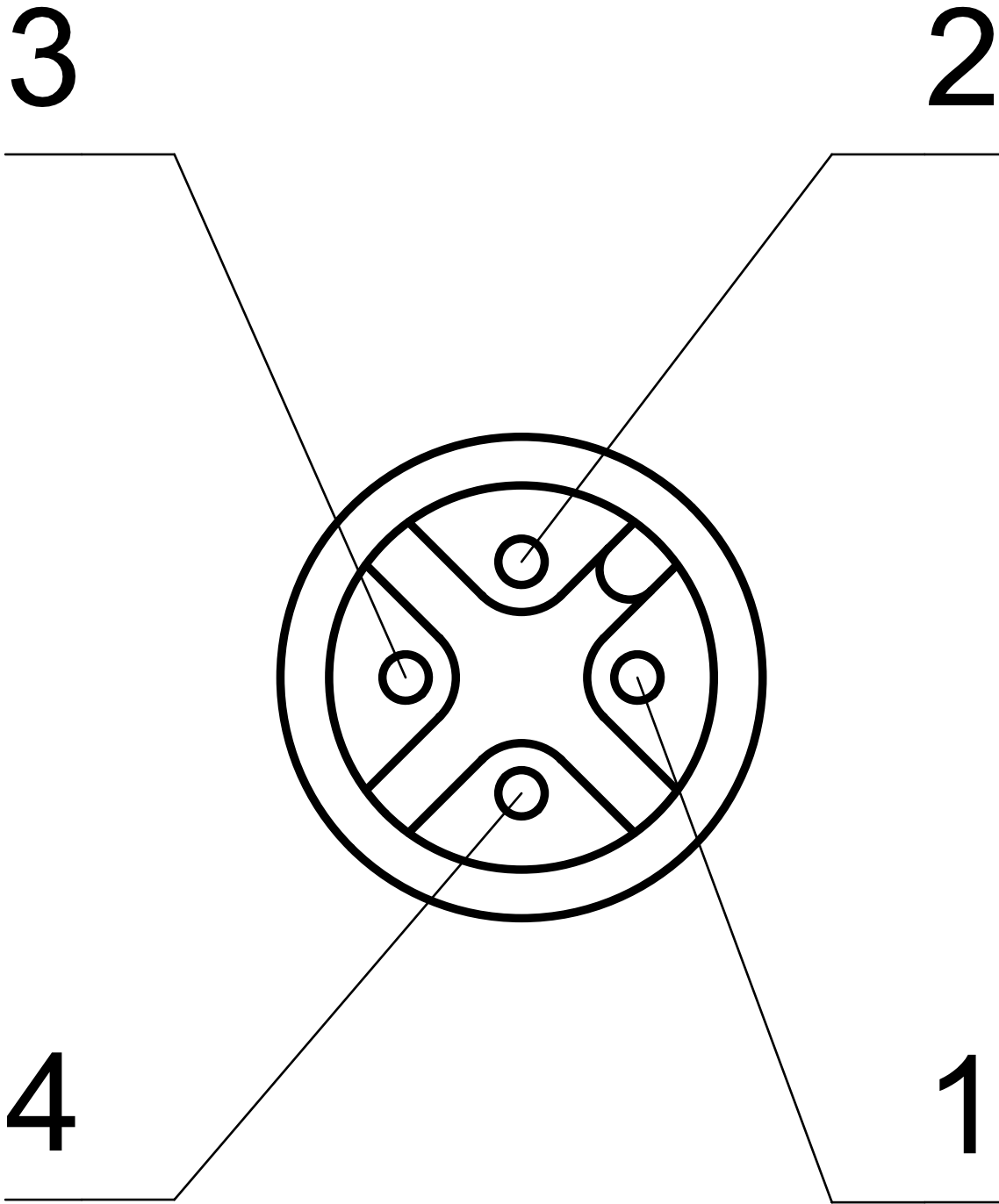
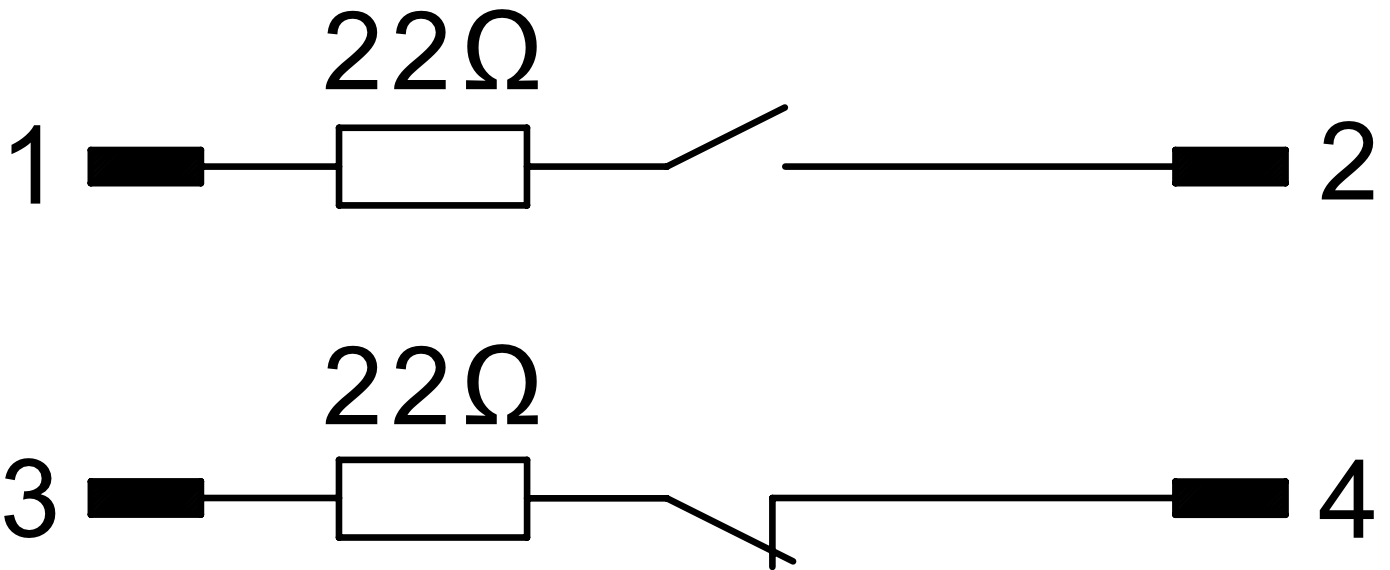


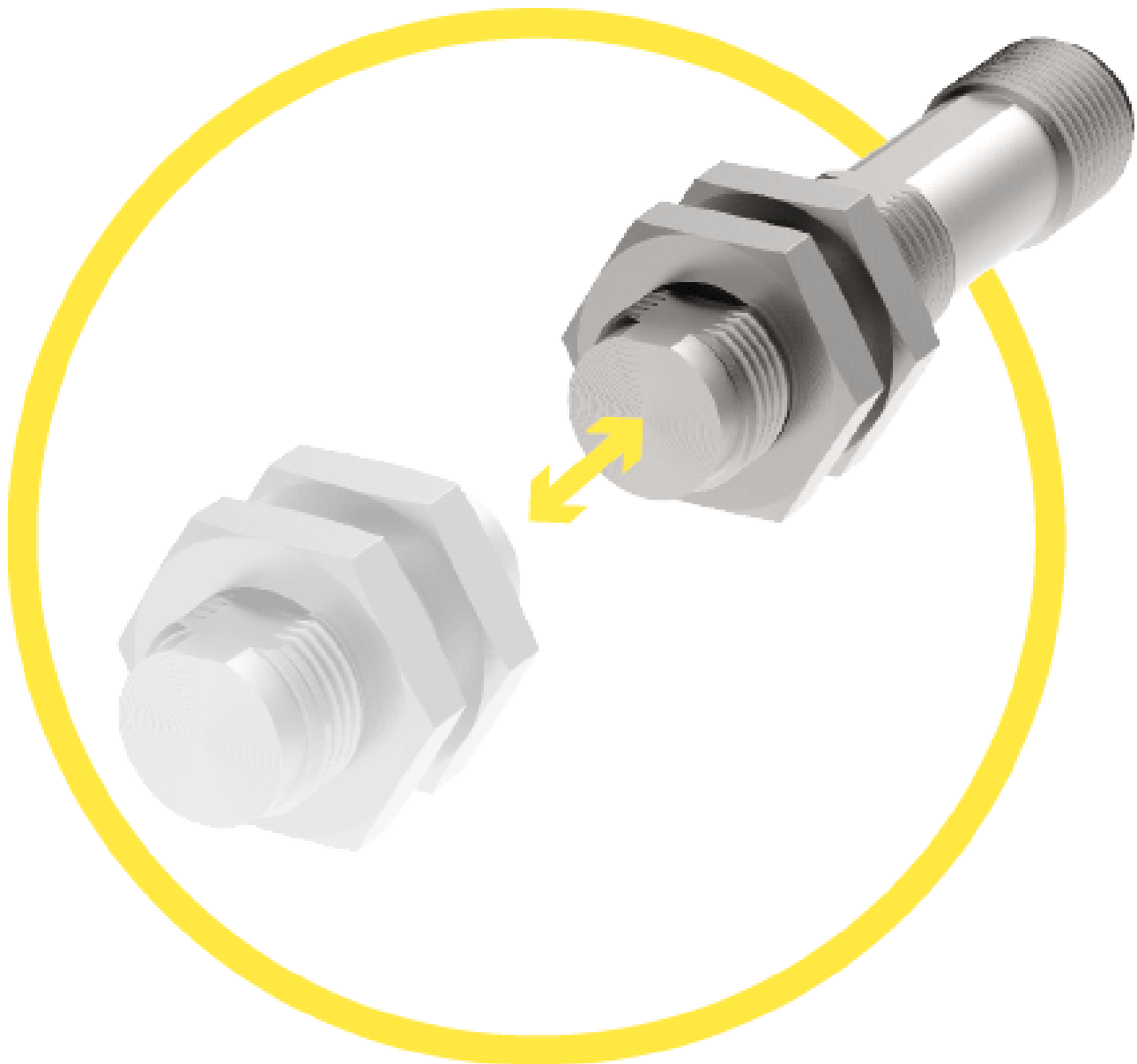
IMAGE 3/3

122MSV10G1G



Product options

IMAGE 1/2



**Suitable for front actuation. Offset with magnet systems
122 MBV 100: max. 5 mm. Operating distance (Sao) from
5 to 9.5 mm. Assured switch-off distance (Sar) 25 mm**

IMAGE 2/2

ORDERING KEY

122MSV10G1G	
Stainless steel housing M12	x
M12x1 plug connection, 4-pin	x
N.O./N.C. contacts	x
Coded	x
Uncoded	-

MATCHING ACTUATORS

Actuators	Actuation direction	120V62V		
		S _{min}	S _{ao}	S _{ar}
122 MBV 100	Front	0.5	9.5	25

S_{min} = minimum switching distance (mm), S_{ao} = operating distance (mm), S_{ar} = assured switch-off distance (mm)

Article characteristics

Attribute	122MSV10G1G
Min. switching voltage	19.2 V DC
Max. switching voltage	28.8 V DC
Max. switching current	0.1 A
Max. switching power	3 W
Switching frequency	5 Hz
Assured switching distance (Sao)	9.5 mm
Assured switch-off distance (Sar)	25 mm
Minimum switching distance (SO min)	0.5 mm
LED display	No
Actuation	front
Switching principle	magnetic
Series resistor	22 Ohm
Technology	Reed
Contact form	NO/NC
Pollution degree	3
Protection class	III
Coding acc. to EN ISO 14119	Low
B10d acc. to EN ISO 13849-1	20000000
Type acc. to EN ISO 14119	4
Mission time in years	20 a
Structure acc. to EN ISO 13849-1	Two-channel
Housing colour	silber
Housing design	cylindrical
Dimensions	M12 x 55,5 mm
Detent present	no
cannot be mounted flush	yes
Housing material	Edelstahl
Nut material	Edelstahl
Protection class	IP68 DIN EN 60529
Protection class, connector	IP68 DIN EN 60529
Operating temperature min.	-25 °C

Article characteristics

Attribute	122MSV10G1G
Max. operating temperature	80 °C
Shock resistance (Norm)	30g / 11ms
Vibration resistance (Norm)	10 - 55Hz
Min. storage temperature	-25 °C
Max. storage temperature	80 °C
Mounting type	Fastening nut
Thread	M12
Connector type	M12x1 - 4 polig
CE label	yes
Possible actuators	122MBV100