



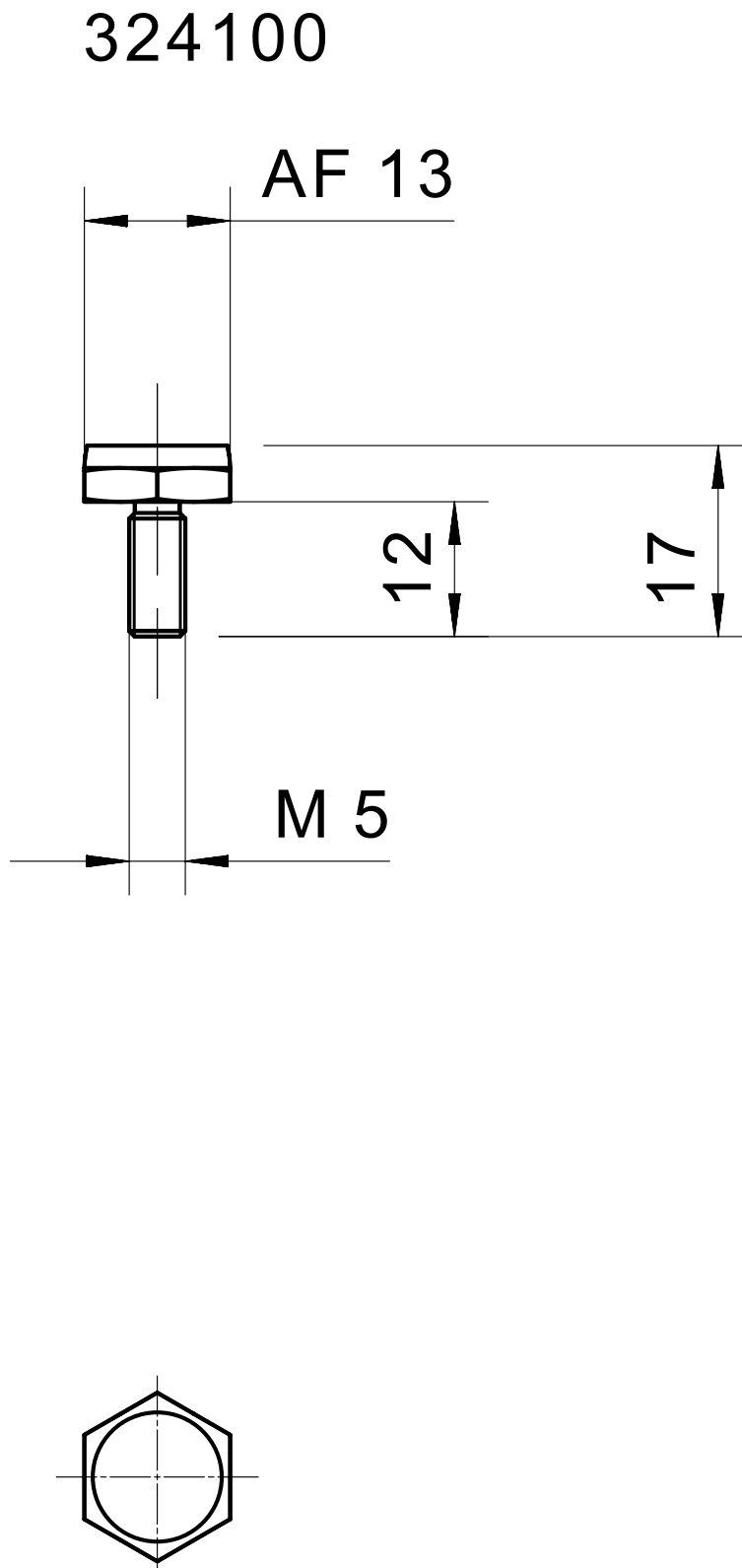
SEKO magnet 324102 Ø8x17mm

Product characteristics

- For use with magnetic sensors
- Simple installation thanks to M6 thread
- Large temperature range

Technical drawing

IMAGE 1/1



Article characteristics

Attribute	324102
Dimensions	SW10 / H=5
Material	Galvanised steel, SmCo
Operating temperature min.	-20 °C
Max. operating temperature	80 °C
Mounting type	Thread
Thread	M6x12