

Spacers 35000

Safety sensors and corresponding magnets should not be fastened directly to ferrous material. We recommend using our spacers.

Product characteristics

- Enables direct mounting of safety sensors and actuators onto ferrous materials

Technical drawing

IMAGE 1/8

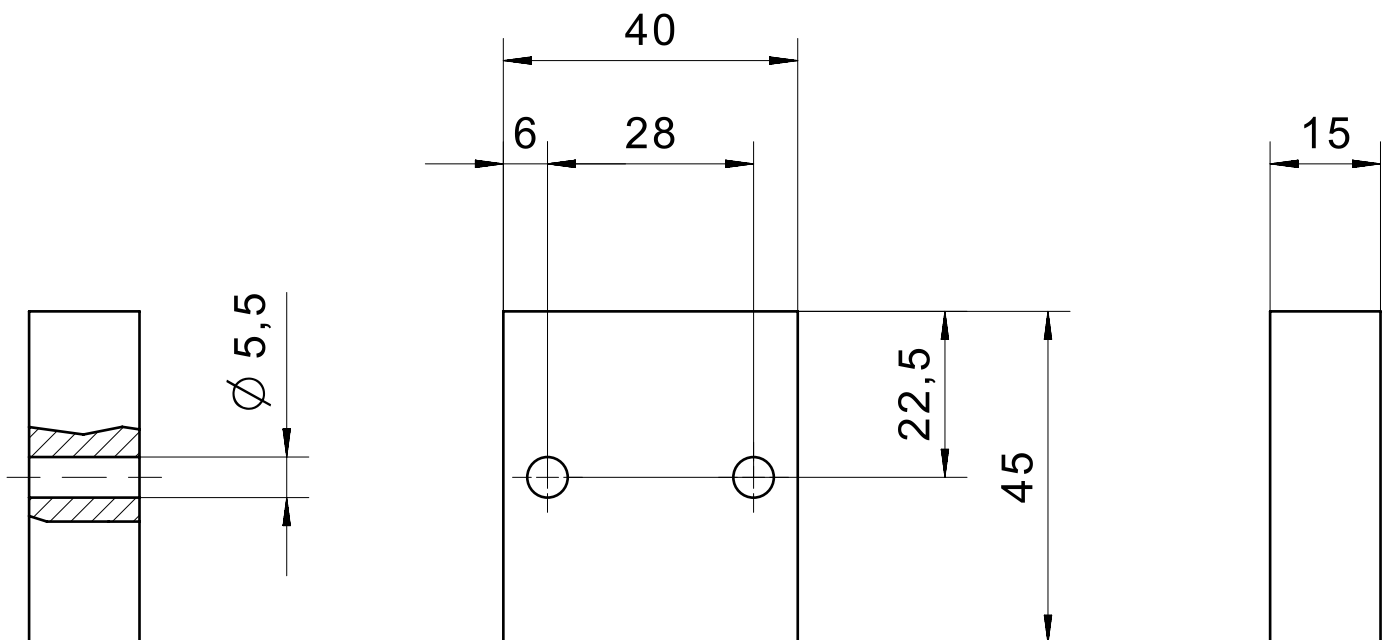


IMAGE 2/8

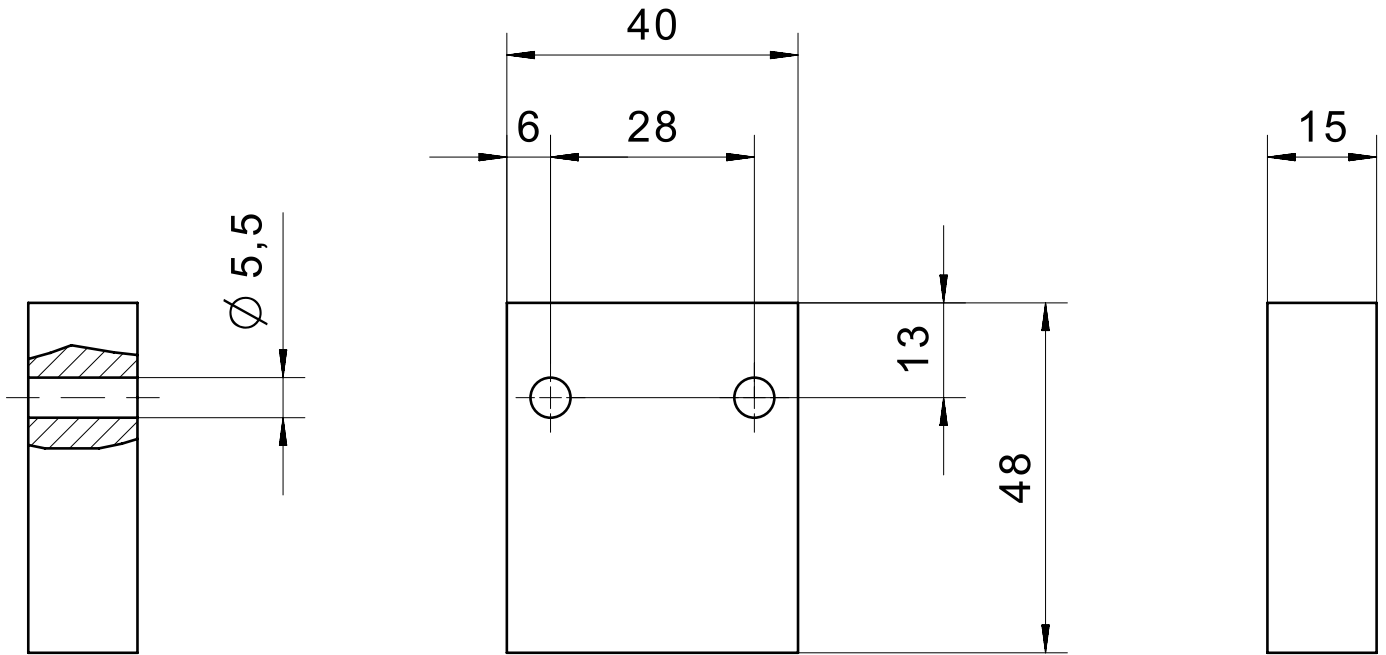


IMAGE 3/8

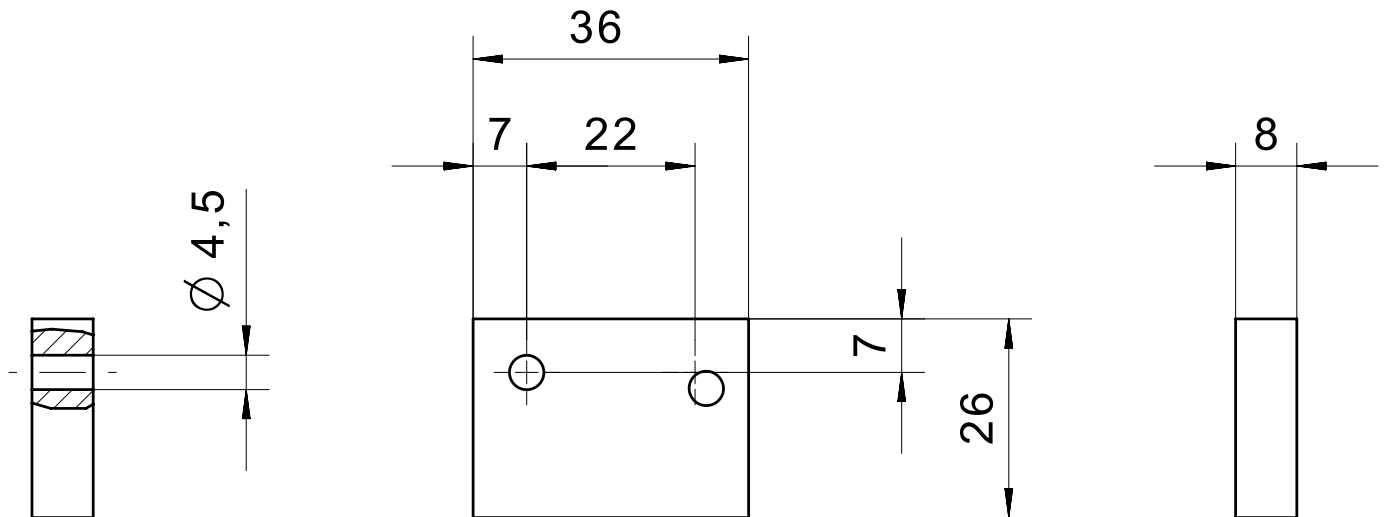


IMAGE 4/8

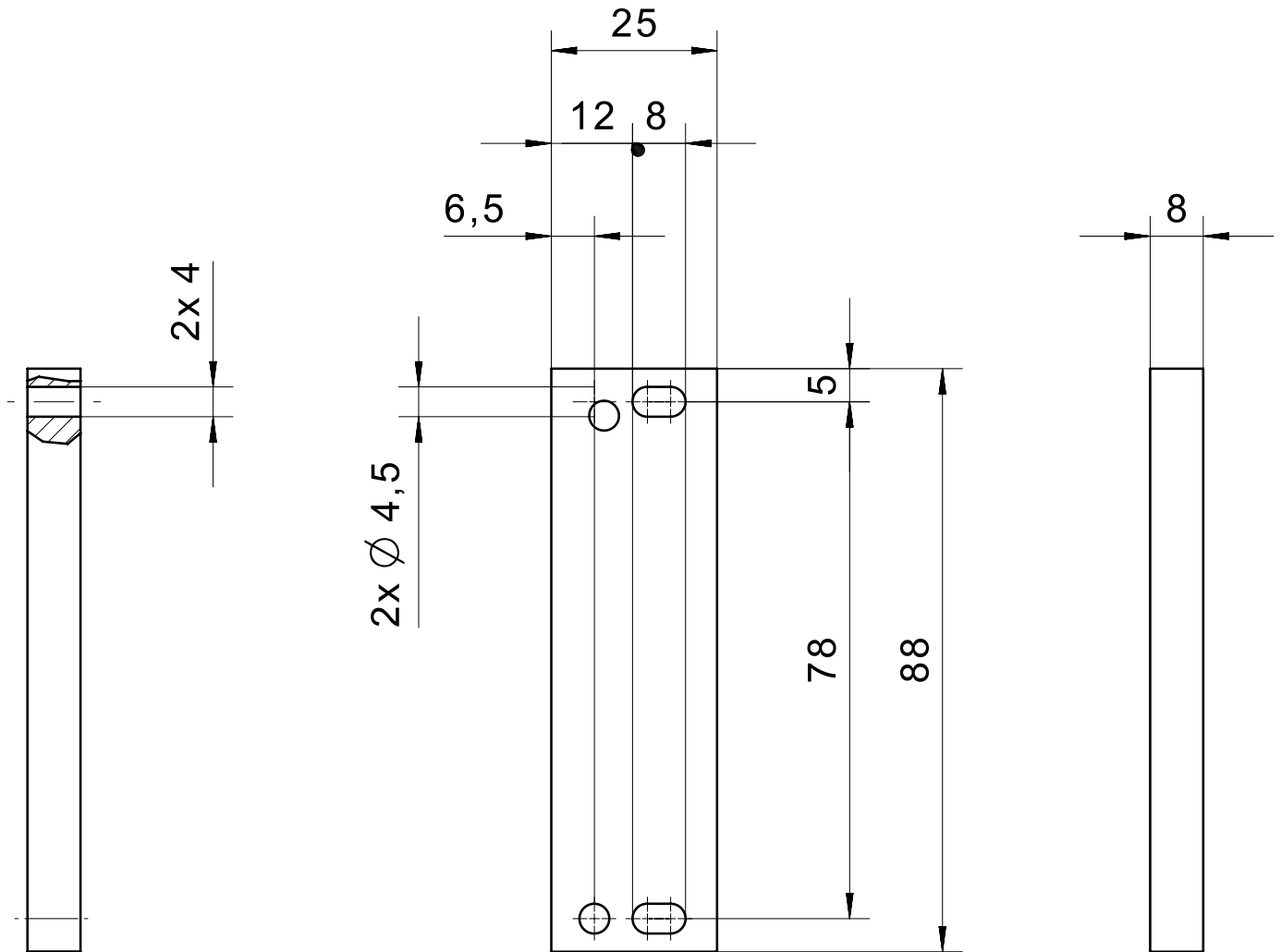


IMAGE 5/8

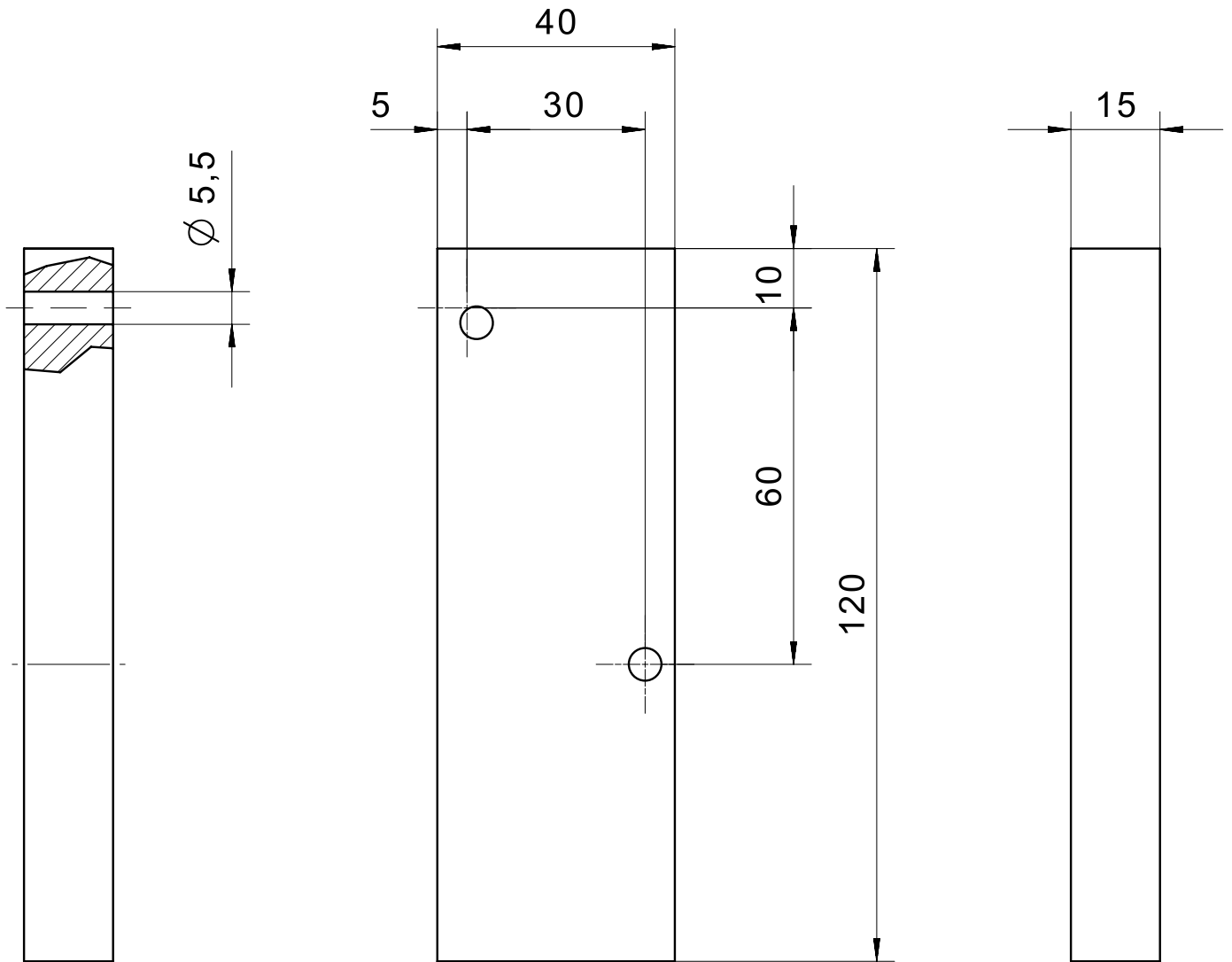


IMAGE 6/8

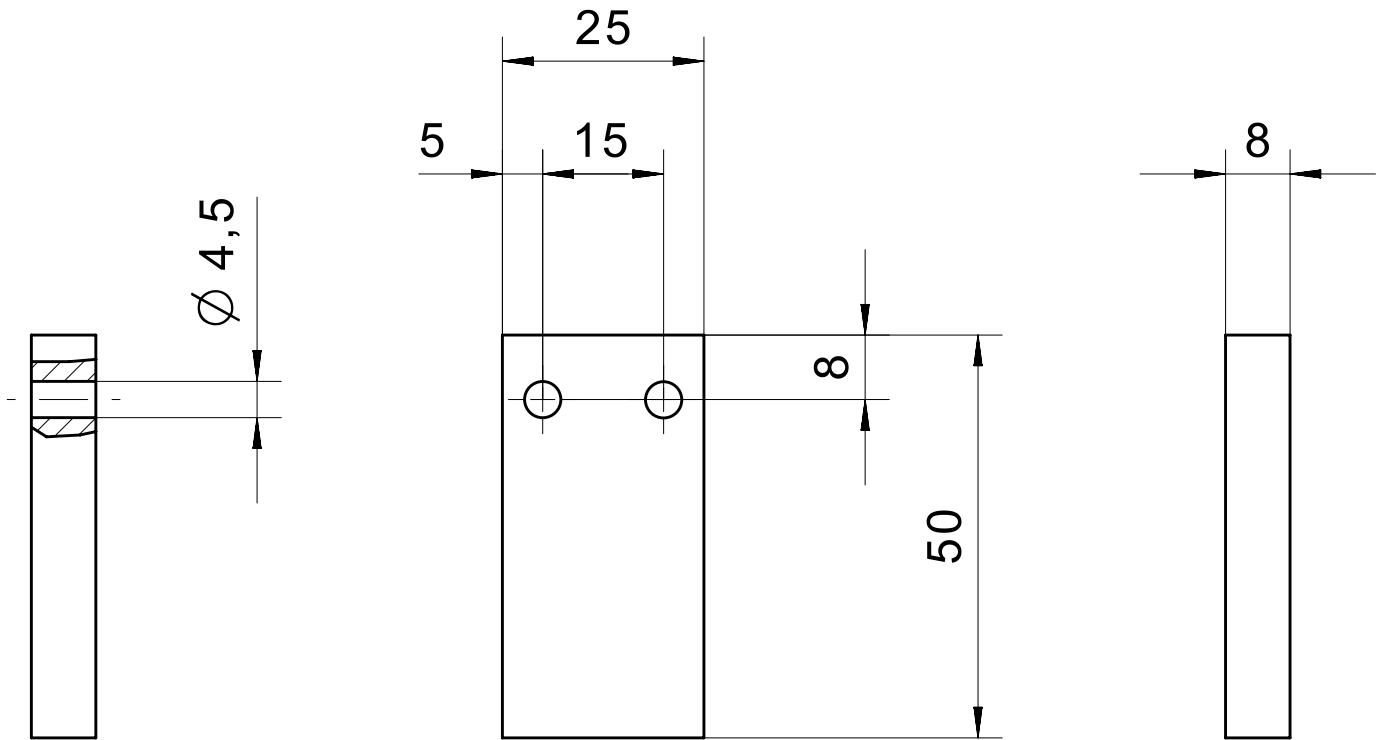


IMAGE 7/8

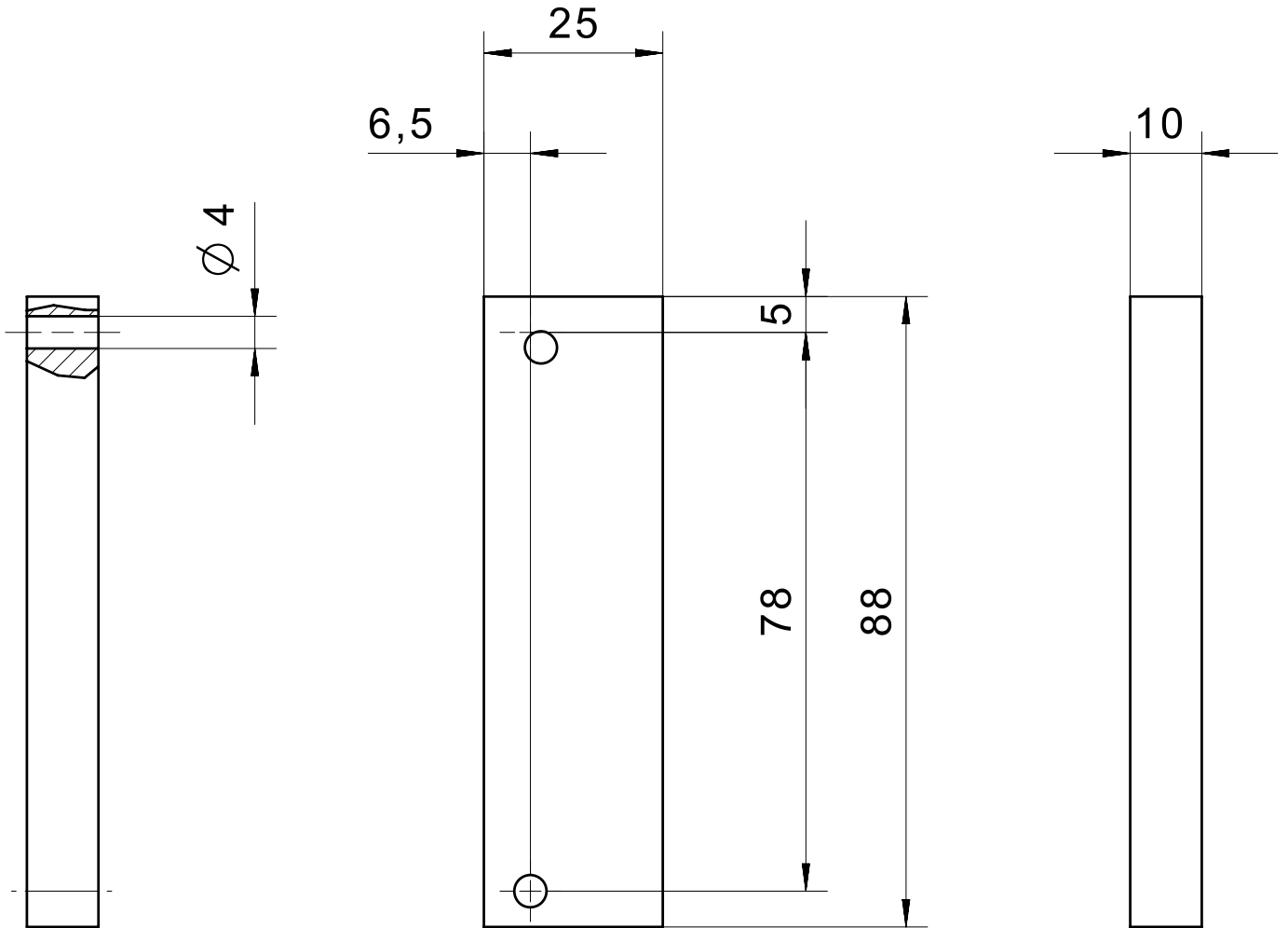
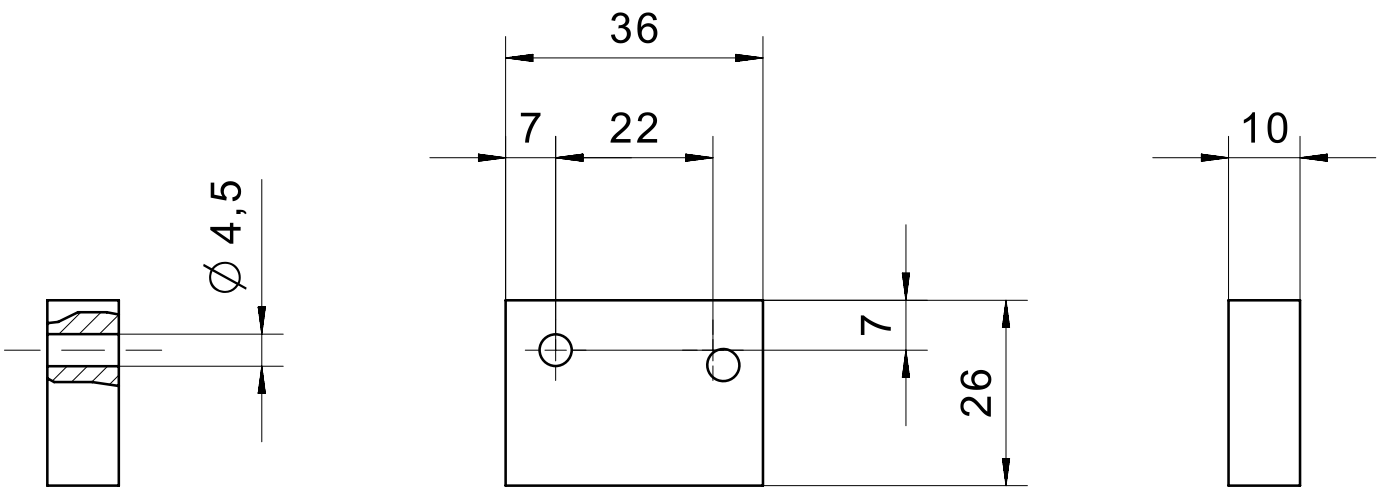


IMAGE 8/8



Product options

IMAGE 1/1

ORDERING KEY

350		Spacer plates
	002	For safety sensor 161...
	003	For actuator 30422112
	004	Material thickness 8 mm – for safety sensor 153... and corresponding actuators
	005	Material thickness 8 mm – for safety sensor 165... and corresponding actuators
	006	For safety sensor with built-in relay 117...
	007	For safety sensor 114... and corresponding actuators
	008	Material thickness 10 mm – for safety sensor 165... and corresponding actuators
	009	Material thickness 10 mm – for safety sensor 153... and corresponding actuators