



Universal Switch 151U...A

Universal switch 151 U...A with two switching levels for operation of the turn signal, horn and headlamp-flash functions.

The Steering column switch 151 U can be used in agricultural vehicles, construction machinery and self-propelled machinery. Using proven technology, these steering column switches are robust and reliable even under tough working conditions.

Technical specifications

- Space-saving design
- Various actuation types: no-detent/detent actuation
- Temperature range -30 °C to +80 °C
- Optionally with large handle (Ø17 mm) or flat handle (24 x 38 mm)

Technical drawing

IMAGE 1/2

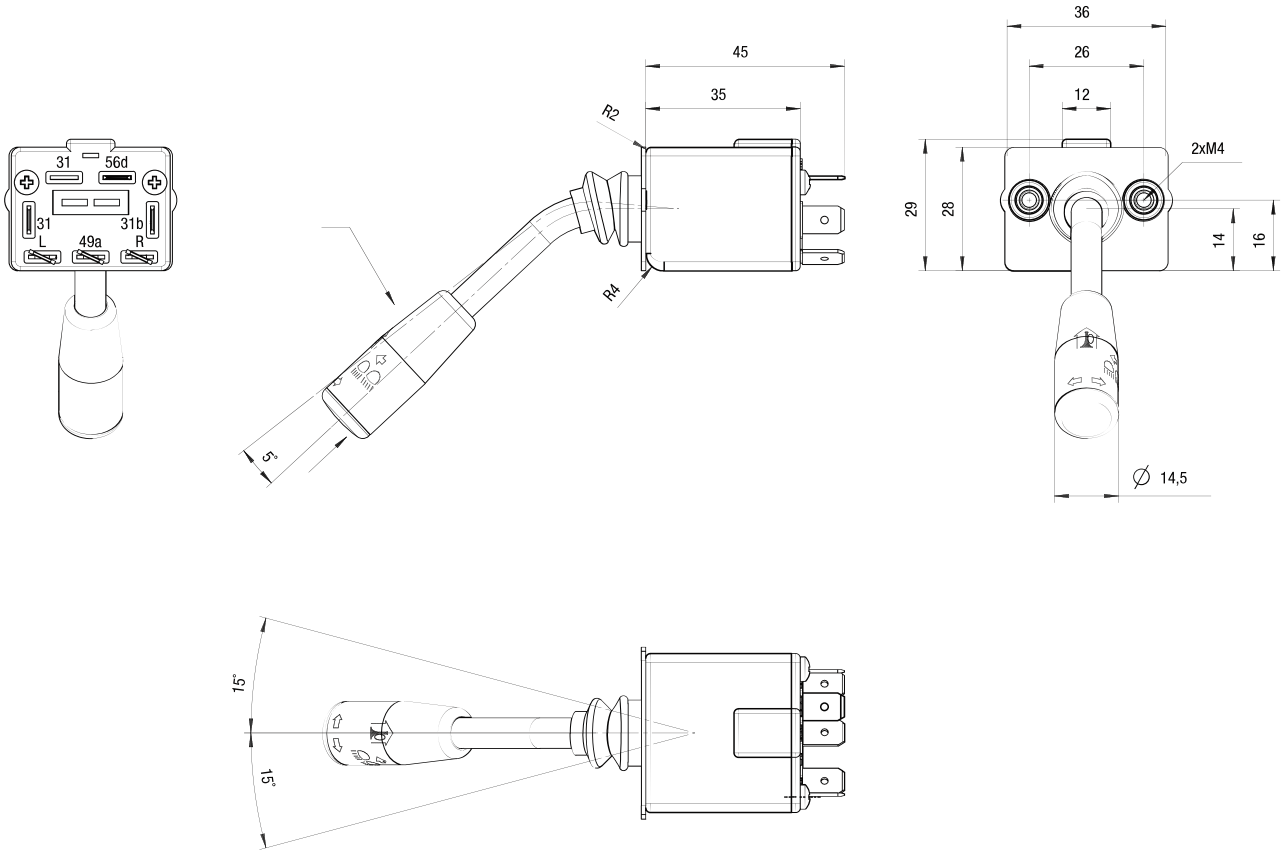
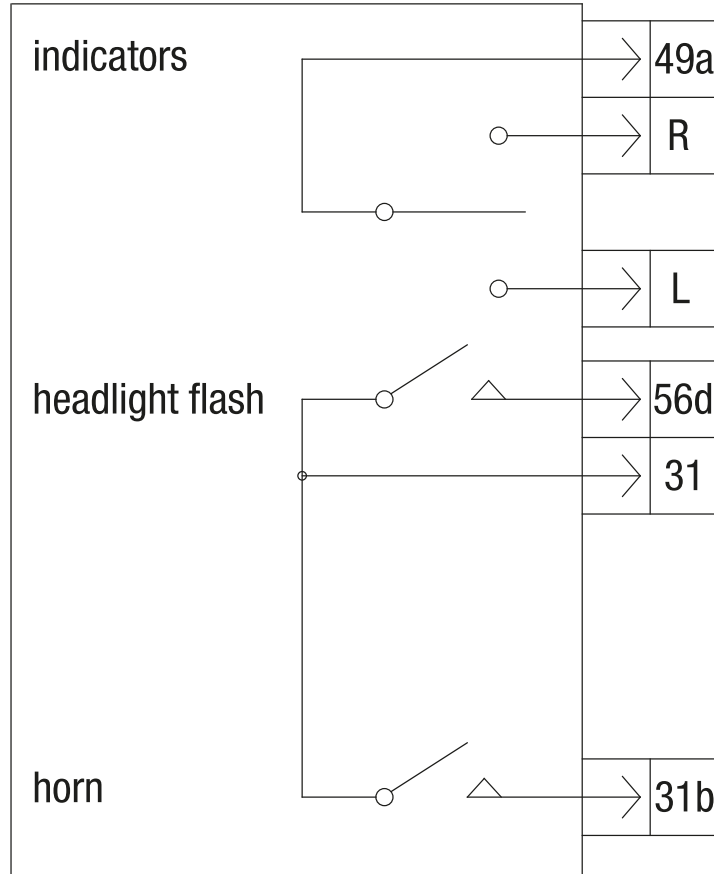


IMAGE 2/2



Product options

IMAGE 1/1

ORDERING KEY

151 U						Universal switch
						Function
	N					No detent
	M					Detent
						Lever version
		S				Standard lever, diameter 7 mm
						Handle version
			1	0	B	Small handle, handle print for turn signal / horn / headlamp flasher (three switching levels)
			1	1	A	Small handle, handle print for turn signal / horn (two switching levels)
			1	2	A	Small handle, without handle print (two switching levels)
			1	2	B	Small handle, without handle print (three switching levels)

Article characteristics

Attribute	151UM.A..	151UN.A..
Contact form	mechanical	
Turn signal - max. switching voltage	12 V DC	48 V DC
Turn signal - max. switching current	8 A	0.5 A
Turn signal - max. switching power	96 W	10 W
Contact form - turn signal	mechanical	Reed Switch
Horn - max. switching voltage	12 V DC	
Horn - max. switching current	4.2 A	
Headlamp flasher - max. switching voltage	12 V DC	
Headlamp flasher - max. switching current	0.256 A	
Headlamp flasher - max. switching power	inductive 3 W	
Horn max. inductive switching power	50 W	
Deflection - turn signal	± 15 °	
Deflection - headlamp flasher	5 °	
Operating temperature min.	-30 °C	
Max. operating temperature	80 °C	
Min. storage temperature	-40 °C	
Max. storage temperature	80 °C	
Installation depth	45 mm	