

## Vane switch 147

Vane switches are actuated by ferromagnetic metal plates at the gap of the U shaped housing, so no additional actuating magnet is required. Can also be mounted directly onto metal.

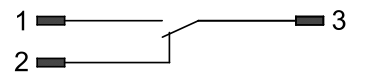
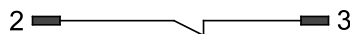
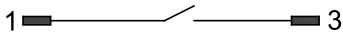
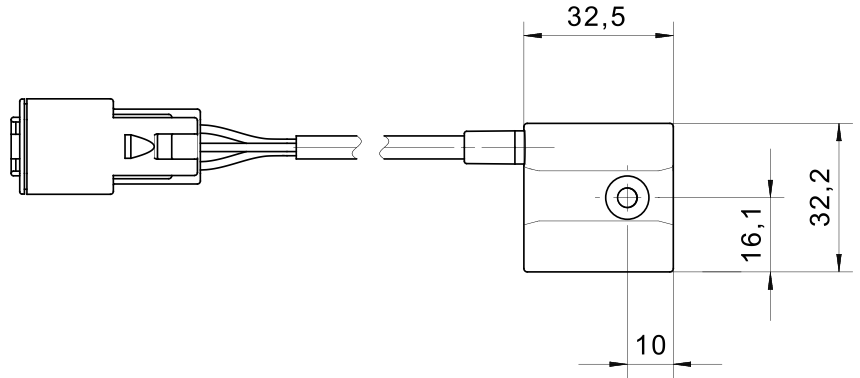
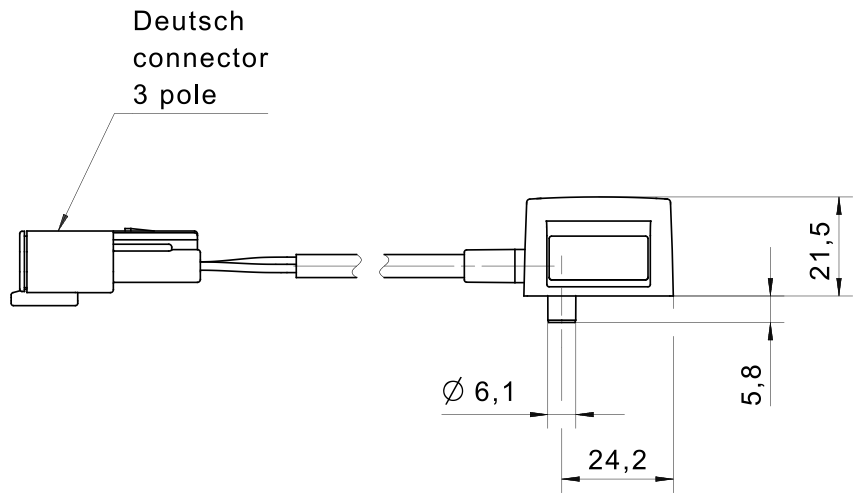
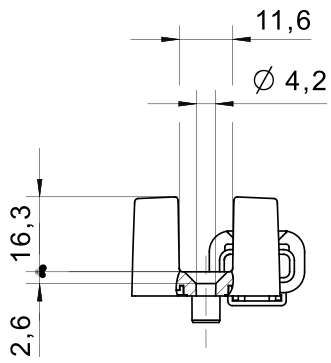
Different variants are available, allowing the switch to be used in a variety of applications, e.g. challenging off-highway tasks or position sensing in plant and mechanical engineering.

### Product characteristics

- No additional actuating magnet necessary
- Compact housing for space-saving installation
- Temperature stability and vibration resistance specially configured for the requirements of automotive applications
- IP6K7 protection class
- PBT housing
- 32.5 x 32.25 x 21.51 mm
- PUR cable with Deutsch connector

Technical drawing

IMAGE 1/1



**Product options**

IMAGE 1/1

**ORDERING KEY**

1471			<b>Vane switch, reed contact</b>
	02B		N.O. - cable connection 0.3m with Deutsch connector DTM04-3P
	12B		N.C. - cable connection 0.3m with Deutsch connector DTM04-3P
	22B		C.O. - cable connection 0.3m with Deutsch connector DTM04-3P
			More connectors and slot switches without connectors on request
			<b>Other available cable lengths</b>
		-3	3 m
		-5	5 m
		-10	10 m
			Other cable materials and cable lengths on request

### Article characteristics

Attribute	147102B	147112B	147122B
Max. switching voltage	48 V DC		
Max. switching voltage	48 V AC		
Max. switching current	0.5 A		
Max. switching power	10 W		
Contact form	NO	NC	CO
Technology	Reed		
Switching principle	magnetic		
Housing colour	Grey		
Dimensions	32,5x32,25x21,51		
Housing material	PBT		
Cable material	PUR		
Protection class	IP6K5 / IP6K7 ISO20653		
Operating temperature min.	-40 °C		
Max. operating temperature	85 °C		
Min. storage temperature	-40 °C		
Max. storage temperature	85 °C		
Min. cable temperature range, moving	-30 °C		
Max. cable temperature range, moving	90 °C		
Min. cable temperature range, fixed installation	-40 °C		
Max. cable temperature range, fixed installation	90 °C		
Shock resistance (Norm)	EN 60068-2-27		
Vibration resistance (Norm)	EN 60068-2-64		
Mounting type	screwed		
Connector type	Deutsch DTM 3pol.		
Cable length	0.3 m		