



02541834

Your Advantages

- Energy saving
- Increase of the service life of the lamps

Features

- Setting range: for long times 3 ... 60 min
- For 4-wire circuit L on push button and 3-wire circuit N on push button
- With pre-warning shortly before end of time delay
- Light can be switched off before pre-warning
- Light can be retriggered after pre-warning
- Switch for continuous light on unit
- Contact: 16 A
- Width 17.5 mm

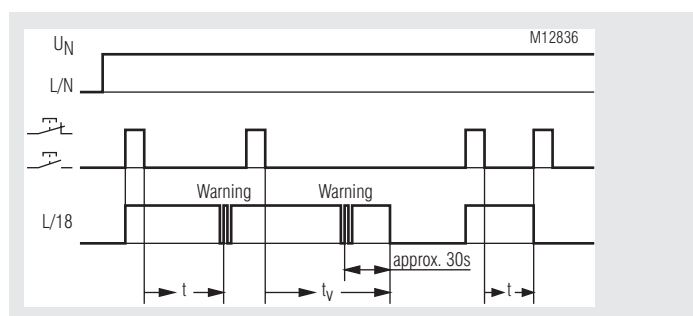
Product Description

The Staircase lighting time switch IK 8810/004 of the MINITIMER series has an adjustable running time and can be switched to continuous lightning by means of a slide switch.

Approvals and Markings



Function Diagram



Application

On and Off switching of lights

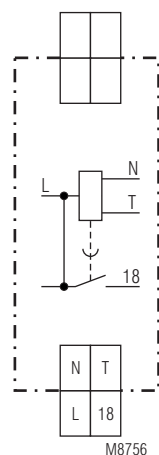
Function

Approx. 30 s before end of timing the light flashes shortly to indicate that the light will go off. If the pushbutton is pressed again before prewarning, the light is switched off immediately. If the pushbutton is pressed after prewarning the adjusted time is started again without interruption on the output contact

Indication

LED: on when output relay activated

Circuit Diagram



Notes

Unit and push button have to be connected to the same phase (see connection diagram) The output contact is not volt free.

Connection Terminals

Terminal designation	Signal description
L	Phase voltage
N	Neutral
T	Control input for buttons
18	Output contact

Technical Data

Time Circuit

Time range: 3 ... 60 min, 0.5 ... 10 min
Repeat accuracy: < 1 % of setting value

Input

Nominal voltage U_N : AC 230 V
Voltage range: 0.8 ... 1.1 U_N
Nominal consumption
 apparent power: 4 VA
 effective power: 1 W
Nominal frequency: 50 / 60 Hz
Permitted residual current caused by glow lamps in the push buttons Max. 10 glow lamps à 1 mA

Output

Contacts: 1 NO contact, delay
Contact opening gap: < 3 mm
Thermal current I_{th} : 16 A
Switching capacity at lamp load
 Glow lamp load: 1200 W at $T_{ein} / T_{aus} = 1 \text{ s} / 1 \text{ s}$
Short circuit strength
max. fuse rating: 16 A gG / gL IEC/EN 60947-5-1
Mechanical life: > 10^6 switching cycles

General Data

Nominal operating mode: Impulse operation
Temperature range
 Operation: - 20 ... + 60 °C
 Storage: - 20 ... + 70 °C
Altitude: ≤ 2000 m
Clearance and creepage distances
 Rated impulse voltage / pollution degree: 4 kV / 2 IEC 60664-1
EMC
 Electrostatic discharge (ESD): 8 kV (air) IEC/EN 61000-4-2
 HF-irradiation:
 80 MHz ... 2.7 GHz: 10 V / m IEC/EN 61000-4-3
 Fast transients: 2 kV IEC/EN 61000-4-4
 Surge voltages between
 wires for power supply: 2 kV IEC/EN 61000-4-5
 between wire and ground: 4 kV IEC/EN 61000-4-5
 HF wire guided: 10 V IEC/EN 61000-4-6
 Interference suppression: Limit value class B EN 55011
Degree of protection
 Housing: IP 40 IEC/EN 60529
 Terminals: IP 20 IEC/EN 60529
Housing: Thermoplast with V0-behaviour according to UL subj. 94
Vibration resistance Amplitude 0.35 mm frequency 10 ... 55 Hz IEC/EN 60068-2-6 20 / 045 / 04 IEC/EN 60068-1
Climate resistance:
Terminal designation: EN 50005
Wire connection: DIN 46228-1/-2/-3/-4
 Cross section: 2 x 2.5 mm² solid or 2 x 1.5 mm² stranded wire with sleeve
 Insulation of wires or sleeve length: 10 mm
Wire fixing: Flat terminals with self-lifting clamping piece IEC/EN 60999-1
Fixing torque: Max. 0.8 Nm
Mounting: DIN rail IEC/EN 60715
Weight: 75 g

Dimensions

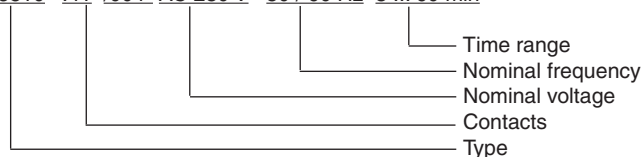
Width x Height x Depth: 17.5 x 90 x 58 mm

Standard Type

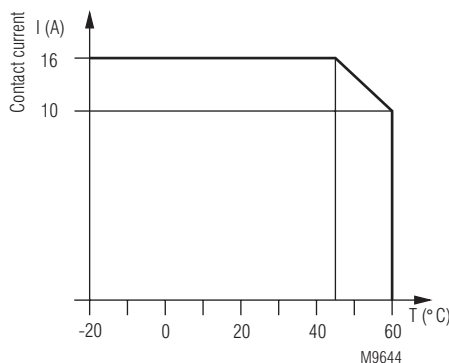
IK 8810.41/004 AC 230 V 50 / 60 Hz 0.5 ... 10 min / 2 ... 40 min
 Article number: 0057585
 • Output: 1 NO contact, delay
 • Nominal voltage U_N : AC 230 V
 • Timer range: 3 ... 60 min
 • Width: 17.5 mm

Ordering Example

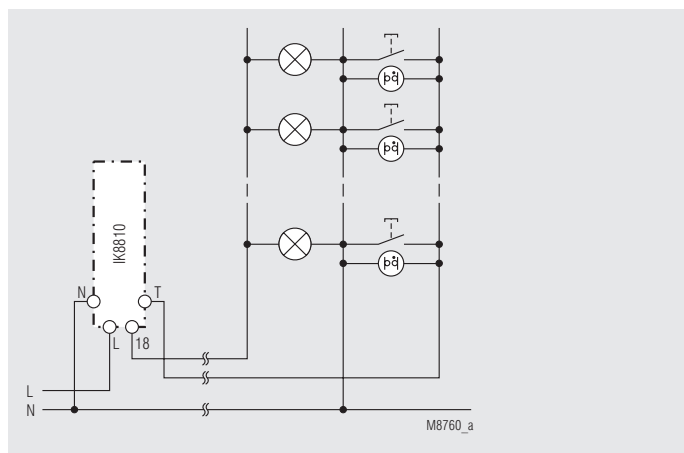
IK 8810 .41 /004 AC 230 V 50 / 60 Hz 3 ... 60 min



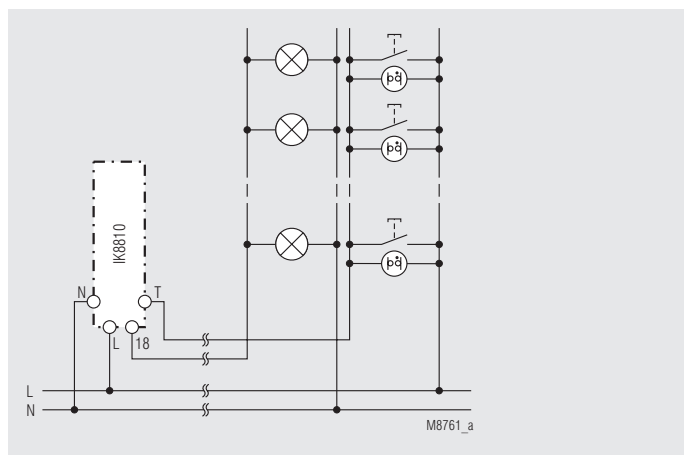
Characteristics



Application Examples



3-wire circuit N on push button



4-wire circuit L on push button