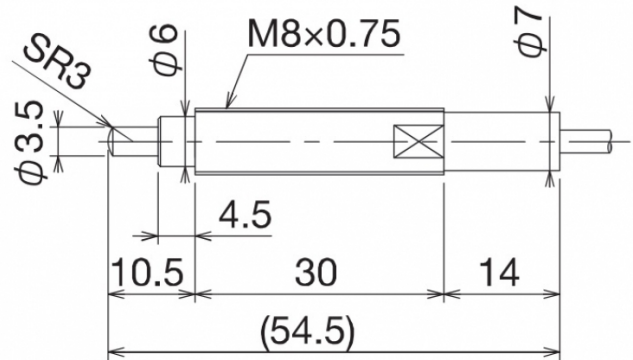


[Article Page](#)

Product Description


Touch Sensor

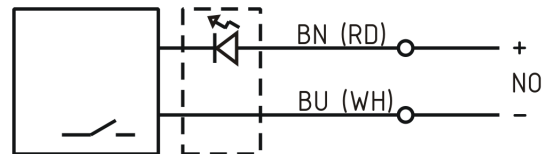


Name  
Order number  
Switch type

CSK087A-L  
08430131050

Signal Type  
Connection  
Connection diagramm

 N.O.  
mechanical contact  
Cable 3m



Dimension (in mm)  
art\_gewicht  
Technical Specification  
Operating voltage  
Max. load current  
Switching hysteresis  
Operating temperature  
Temperature drift  
Repeat accuracy

fine-pitch thread M8x0,75 x l = 54,5  
36 g  
5 - 24 V DC  
10 mA  
0  
0 ° C to 80 ° C  
0  
0,005 mm (at operating speed 50 ... 200 mm/  
min)

Switching state  
Stroke  
Pre-travel  
Accuracy  
Probe tip  
Probe tip material  
Operation load  
art\_ttl\_mech  
Protection category  
Wiring  
Housing material  
Termination  
Approach direction

LED  
5 mm  
0,3 mm  
0,005 mm  
Ø 3,5/ R 3  
Edelstahl  
1 N  
10 Mio. operating cycles  
IP65  
Zweidraht/ Two wire  
Stainless steel V2A  
cable 3 m, 2 wire, Ø 2.8 mm, oil resistant  
axial

**Errors and omissions exceptet**