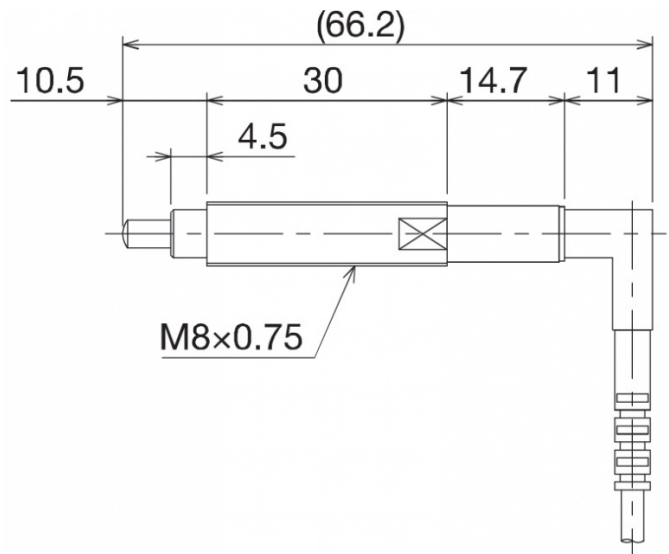


[Article Page](#)

Product Description




Touch Sensor



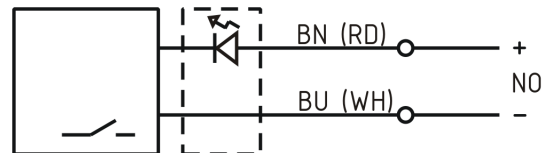
Name
Order number
Switch type

CSK087A-LDR
08430131055

Signal Type
Connection
Connection diagramm

 N.O.
mechanical contact
Cable 3m

Dimension (in mm)
art_gewicht
Technical Specification
Operating voltage
Max. load current
Switching hysteresis
Operating temperature
Temperature drift
Repeat accuracy



fine-pitch thread M8x0,75 x l = 66,2
50 g

Switching state
Stroke
Pre-travel
Accuracy
Probe tip
Probe tip material
Operation load
art_ttl_mech
Protection category
Wiring
Housing material
Termination
Approach direction

5 - 24 mV
10 mA
0
0 ° C to 80 ° C
0
0,005 mm (at operating speed 50 ... 200 mm/
min)
LED
5 mm
0,3 mm
0,005 mm
Ø 3,5/ R 3
Edelstahl
1 N
10 Mio. operating cycles
IP65
Zweidraht/ Two wire
Stainless steel V2A
cable 3 m, 2 wire, sideways (90°), Ø 2.8 mm, oil
resistant
axial



CSK087A-LDR

Pulsotronic GmbH & Co. KG Neue Schichtstraße 14b 09366 Niederdorf Deutschland +49 (0)37296 930-200

Errors and omissions exceptet