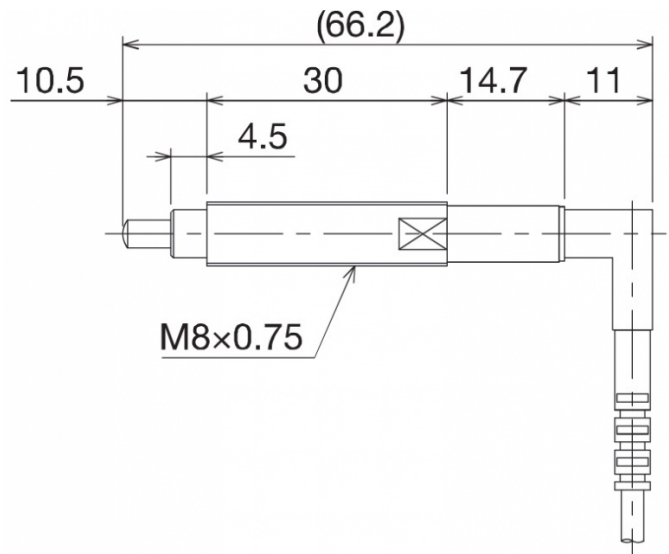


[Article Page](#)

Product Description




Touch Sensor



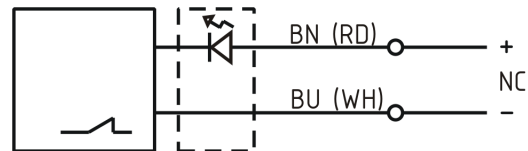
Name
Order number
Switch type

CSK087B-LDR
08430131065

Signal Type
Connection
Connection diagramm

 N.C.
mechanical contact
Cable 3m

Dimension (in mm)
art_gewicht
Technical Specification
Operating voltage
Max. load current
Switching hysteresis
Operating temperature
Temperature drift
Repeat accuracy



M8 x 66,2
41 g

Switching state
Stroke
Pre-travel
Accuracy
Probe tip
Probe tip material
Operation load
art_ttl_mech
Protection category
Wiring
Housing material
Termination
Approach direction

5 - 24 V
10 mA
0
0 ° C to 80 ° C
0
0,005 mm (at operating speed 50 ... 200 mm/
min)
LED
5 mm
0,3 mm
0,005 mm
Zylinder 3,5/R 3
Edelstahl
1 N
10 Mio. operating cycles
IP65
Zweidraht/ Two wire
Stainless steel V2A
cable 3 m, 2 wire, Ø 2.8 mm, oil resistant
axial

Errors and omissions exceptet