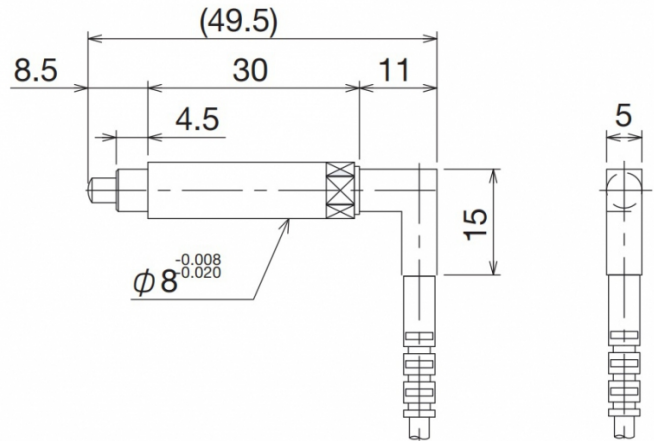


[Article Page](#)

Product Description

Touch Sensor




Name

CSS80A-LDR

Order number

08430131035

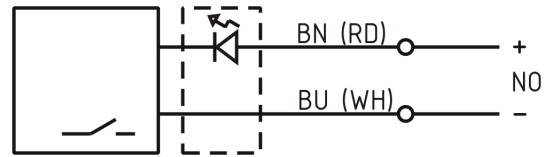
Switch type

 N.O.
mechanical contact
Cable 3m

Signal Type

Connection

Connection diagramm



D 8 x l = 49,5

Dimension (in mm)

Technical Specification

Operating voltage

5 - 24 V DC

Max. load current

10 mA

Switching hysteresis

0

Operating temperature

0 ° C to 80 ° C

Temperature drift

0

Repeat accuracy

0,005 mm (at operating speed 50 ... 200 mm/min)

Switching state

LED

Stroke

2,8 mm

Pre-travel

0,3 mm

Accuracy

0,005 mm

Probe tip

Zylinder 3,5/R 3

Probe tip material

Edelstahl

Operation load

1 N

art_ttl_mech

10 Mio. operating cycles

Protection category

IP65

Wiring

Zweidraht/ Two wire

Housing material

Stainless steel V2A

Termination

cable 3 m, 2 wire, Ø 2.8 mm, oil resistant

Approach direction

axial

Errors and omissions exceptet