

## Datasheet

020SMTLABD

Knob selector switch,illuminated, white, 2-position, Cam A, spring return from RH



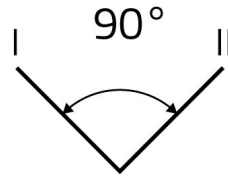
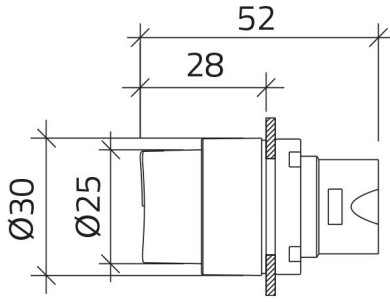
## Features

|                       |   |
|-----------------------|---|
| <b>Range</b>          | Illuminated knob selector switches Ø 22   |
| <b>components</b>     | 2-position  |
| <b>Code</b>           | 020SMTLABD  |
| <b>Description</b>    | Knob selector switch,illuminated, white, 2-position, Cam A, spring return from RH |
| <b>Colour</b>         | Bianco  |
| <b>Weight - gr</b>    | 27.0  |
| <b>Customs Tariff</b> | 85365080  |
| <b>GTIN</b>           | 8052878066482   |

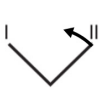
## Datasheet

|   |   |
|---|---|
| <b>Approvals</b>                                  | CE  |
| <b>Compliance with standards</b>                  | IEC-EN60947-1, IEC-EN60947-5-1, UL508, CSA C22-2  |
| <b>Compliance with standards</b>                  | UNI CEI EN 45545-2                                |
| <b>Operating temperatures</b>                     | -40° ÷ +70°C                                      |
| <b>Environmental operating values</b>             | +25°C-97%RH / +45°C-93%RH (IEC-EN60068-2-30)      |
| <b>Protection degree</b>                          | IP65 (IEC-EN60529)                                |
| <b>Protection against impact</b>                  | IK03 (IEC-EN62262)                                |
| <b>Mechanical durability</b>                      | 1.000.000 Operations                              |
| <b>Shock resistance</b>                           | 30g duration=18ms (EN-IEC 60068-2-27)             |
| <b>Vibration resistance</b>                       | 5g f= 2...500Hz (EN-IEC 60068-2-6)                |
| <b>Contact blocks configuration</b>               | Max no. 2 blocks (1+1)                            |
| <b>Housing material</b>                           | PA Polyamide                                      |
| <b>Knob or lever material</b>                     | PC Polycarbonate                                  |
| <b>Locking ring material</b>                      | Zamak zinc alloy                                  |
| <b>Fixing diameter</b>                            | 22.5mm - Thickness 1÷6mm                          |
| <b>Tightening torque</b>                          | 2 ÷ 3Nm (17.7 ÷ 26.6 Lb-in)                       |
| <b>Illuminated selector switch (all versions)</b> | It is mandatory to use LED bulbs type 010BA9SLxxx |
| <b>Protection against electric shock</b>          | Class II (IEC-EN61140)                            |
| <b>Warranty period</b>                            | 18 months   |

# Technical drawings

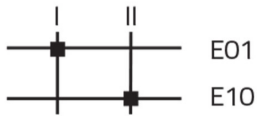
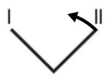


## CAM A



020E10  
020G

## CAM A



020E01  
020E10  
020G

