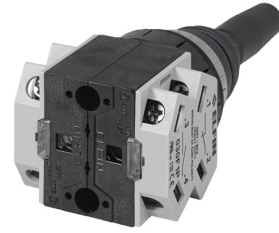


Datasheet

030MPPN

Joystick, 2-position, 2 Maintained, 2 N.O.+2 N.C.



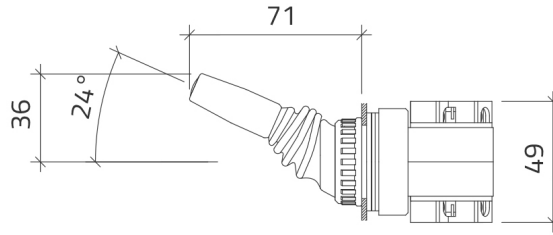
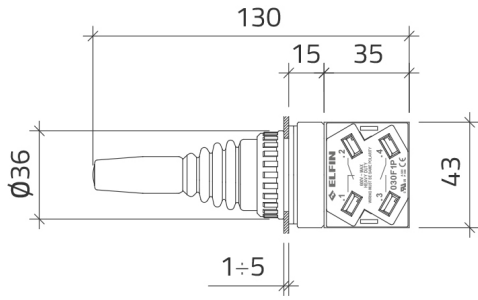
Features

Range	Joysticks Ø 30
components	2-position
Code	030MPPN
Description	Joystick, 2-position, 2 Maintained, 2 N.O.+2 N.C.
Colour	Nero
Weight - gr	148.0
Customs Tariff	85365080
GTIN	8052878029456

Datasheet

Approvals	CE, UL, CSA
Compliance with standards	IEC-EN60947-1, IEC-EN60947-5-1, UL508, CSA C22-2
Operating temperatures	-25° ÷ +65°C
Protection degree	IP65 Front panel / IP2X terminals(IEC-EN60529)
Mechanical durability	2.000.000 Operations
Cap or bellow material	Silicon rubber
Housing material	PA Polyamide
External bezel material	Chromed zinc alloy
Internal parts material	Lever, springs, bushing - stainless steel AISI 304
Actuation force	13N
Fixing diameter	30.5mm - Thickness 1÷6mm
Tightening torque	2 ÷ 3Nm (17.7 ÷ 26.6 Lb-in)
Protection against electric shock	Class II (IEC-EN61140)
Contact block characteristics	See technical features of 030F1 or 030FA+030FCR
Contact block	Included
Warranty period	18 months

Technical drawings



① ② ③

