

# Datasheet

## 030MPPNB

Joystick, 2-position, 2 Maintained, with interlock, 2 N.O.+2 N.C.



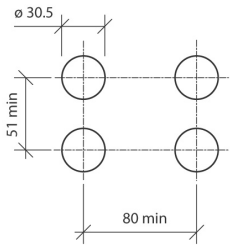
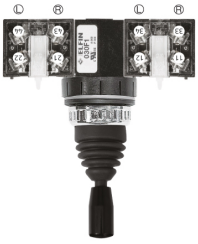
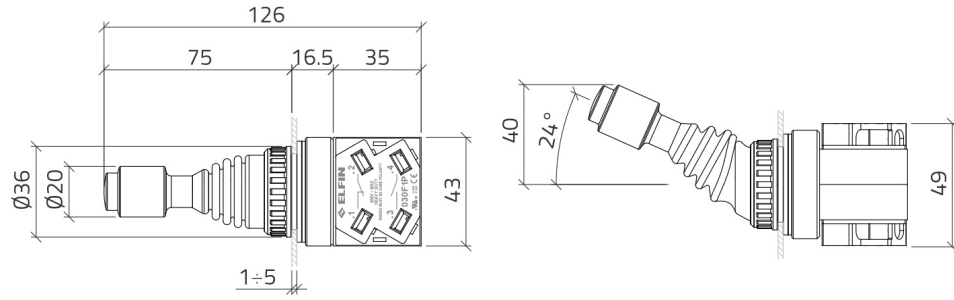
## Features

Range	Joysticks Ø 30
components	2-position with safety interlock
Code	030MPPNB
Description	Joystick, 2-position, 2 Maintained, with interlock, 2 N.O.+2 N.C.
Colour	Nero
Weight - gr	165.0
Customs Tariff	85365080
GTIN	8052878067526

## Datasheet

Approvals	CE
Compliance with standards	IEC-ENC60947-1, IEC-EN60947-5-1
Operating temperatures	-25° ÷ +65°C
Protection degree	IP65 Front panel / IP2X terminals(IEC-EN60529)
Mechanical durability	2.000.000 Operations
Cap or bellow material	Silicon rubber
Housing material	PA Polyamide
External bezel material	Chromed zinc alloy
Internal parts material	Lever, springs, bushing - stainless steel AISI 304
Actuation force	13N
Fixing diameter	30.5mm - Thickness 1÷6mm
Tightening torque	2 ÷ 3Nm (17.7 ÷ 26.6 Lb-in)
Actuation with safety interlock	Red button - lift to unlock
Protection against electric shock	Class II (IEC-EN61140)
Contact block characteristics	See technical features of 030F1 or 030FA+030FCR
Contact block	Included
Warranty period	18 months

# Technical drawings



① 0 ②

