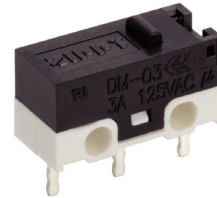
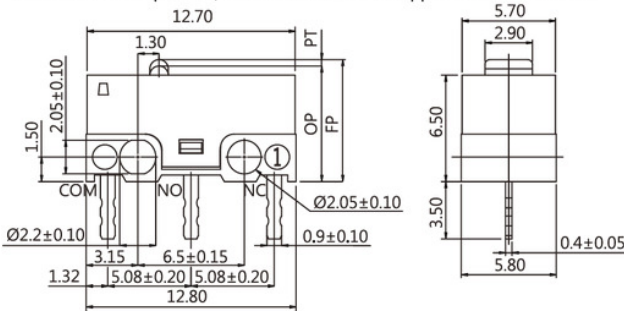
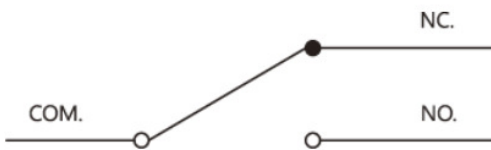


Dimensions

Unless otherwise specified, a tolerance of $\pm 0.4\text{mm}$ applies to all dimensions.



Contact Configuration



Specifications

Operating frequency(mechanical):

120 Operation / min

Operating frequency(electrical):

10~30 Operation / min

Contact resistance:

100m Ω (max)

Insulation resistance(at 500 VDC)

100M Ω (Min)

Service life(mechanical)

Min.1,000,000 Operations

Service life(electrical)

3A-Min.10,000 Operations

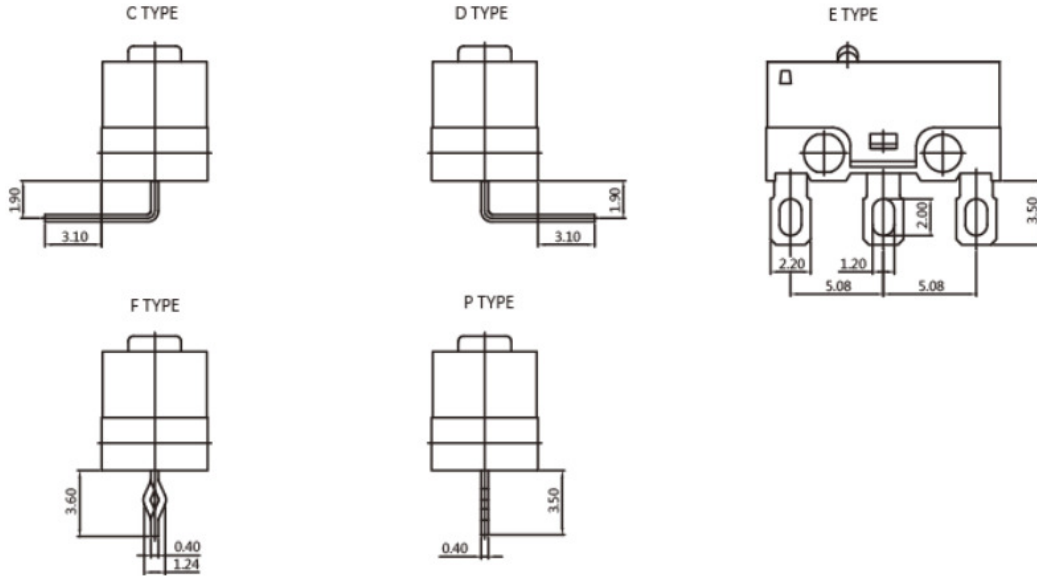
Application

1. Computer mouse
 2. Joysticks
 3. Charger unit for mobile phone
 4. Detection of key position for automobiles
 5. Small home appliances
 6. Central heating control
 7. Electronic Door Locks
 8. Smart Meter
- reminder,Cordless phone,Tester machine

Rating

0.1A/3A 125VAC ; 0.1A 48 VDC ; 0.2A 60VDC

Terminal Types



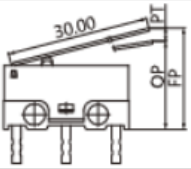
Order Information

DM	03	S	0	P	Z
SERIES PREFIX	RATING CURRENT	OPERATING FORCE	ACTUATOR TYPE	TERMINAL TYPE	ROHS CODE
	03 3A 125VAC	L LIGHT	0	C	
	P1 0.1A 48VDC 0.1A 125VAC	S STANDARD	1	D	
			2	E	
			3	F	
			4	P	
			5		
			6		
			7		
			8		
			9		

Note1.
for special type DM-03□-□□-A gold plated contacts
rating 0.1A 48VDC ; 0.1A 125VAC ; 0.2A 60VDC ;
1A 125VAC ; 3A 125VAC.

Operating Characteristics

SWITCH TYPE	PART SUFFIX	OF Max. (gf)		OP (mm)	PT Max. (mm)	OT Min. (mm)	MD Max. (mm)	FP Max. (mm)	RF Min. (gf)
		L	S						
DM-03 □ -0 □ -Z		L	90	7.0±0.3	1.3	0.2	0.3	8.0	15
		S	150						20
DM-03 □ -1 □ -Z		L	30	8.4±0.8	3.4	0.6	1.3	11.0	5
		S	50						8
DM-03 □ -2 □ -Z		L	27	10.5±0.8	3.8	0.6	1.5	13.5	4
		S	45						7
DM-03 □ -3 □ -Z		L	40	7.9±0.8	3.4	0.6	1.0	10.5	6
		S	70						10
DM-03 □ -4 □ -Z		L	36	8.1±0.8	3.4	0.6	1.1	10.7	5
		S	65						9
DM-03 □ -5 □ -Z		L	53	8.9±0.8	2.9	0.6	0.8	11.0	8
		S	88						12
DM-03 □ -6 □ -Z		L	29	8.5±0.8	3.5	0.7	1.4	11.2	4
		S	50						7
DM-03 □ -7 □ -Z		L	29	11.3±1.0	3.7	0.3	1.4	14.0	4
		S	50						7
DM-03 □ -8 □ -Z		L	33	8.2±0.8	3.4	0.5	1.2	10.8	5
		S	60						8

SWITCH TYPE	PART SUFFIX	OF Max. (gf)	OP (mm)	PT Max. (mm)	OT Min. (mm)	MD Max. (mm)	FP Max. (mm)	RF Min. (gf)	
DM-03 □ -9 □ -Z		L	15	10.79±2.1	10.1	0.9	3.0	16.9	2
		S	22	8.9±2.1					3