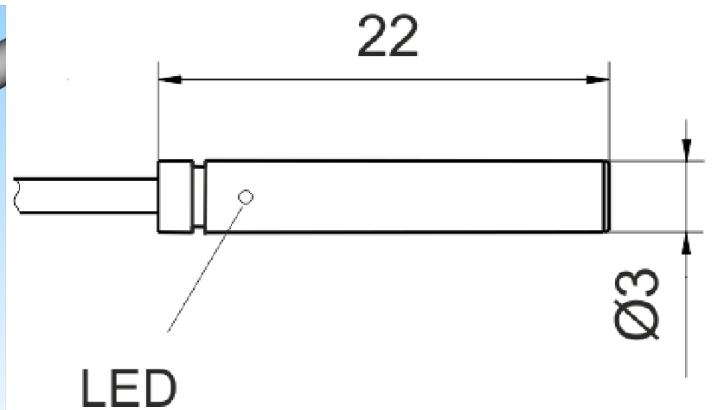
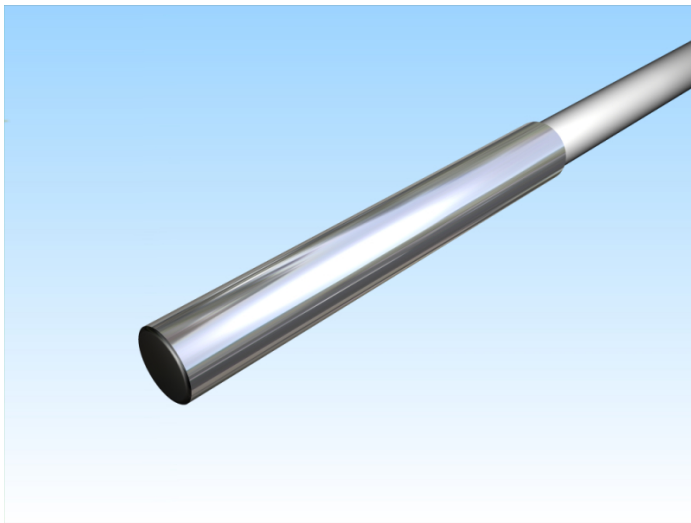


[Article Page](#)

Product Description



inductive sensor DC

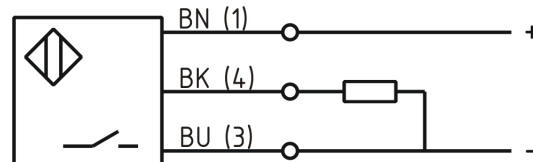


Name
Order number
Matchcode
Switching distance
Mounting

Switch type

Signal Type
Connection
Connection diagramm

KJ0,6-G3EB22-DPS
08317803010
9980-3010
0,6 mm
 shielded
 N.O.
DC PNP
Cable 2m



D 3 x 22

Dimension (in mm)
Technical Specification
Operating voltage
Max. ripple
Voltage drop
Max. load current
No load current
Leakage current
Switching frequency
Switching hysteresis
Operating temperature
Temperature drift
Repeat accuracy
Switching state
Time delay
Short-circuit proof
Overload protection
Reverse voltage protection
Protection category
EMC-level
Housing material
Material active face

10 - 30 VDC
≤ 10 %
1 V
200 mA
≤ 10 mA
≤ 10 µA
2000
≤ 15 %
-25 ° C to 70 ° C
≤ 10 %
≤ 5 %
LED
100 ms
yes
yes
yes
IP67
DIN EN 60947-5-2:2014
Stainless steel V2A
POM



KJ0,6-G3EB22-DPS

Pulsotronic GmbH & Co. KG Neue Schichtstraße 14b 09366 Niederdorf Deutschland +49 (0)37296 930-200

Cable length	2 m
Utilisation category	DC 13
Cable material	PUR grau (grey)
Cable cross	3x0.14 mm ²

Errors and omissions exceptet