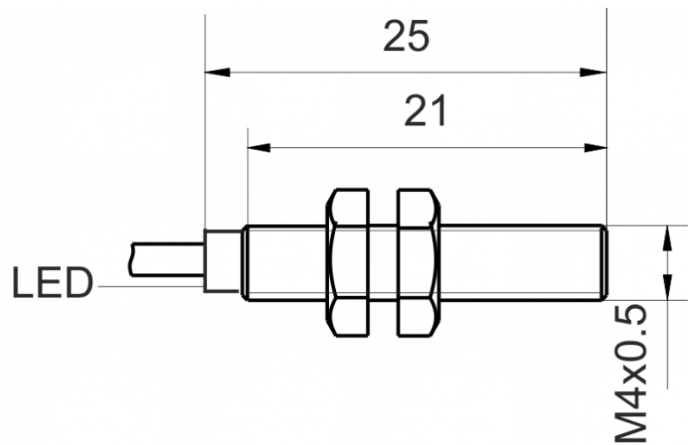
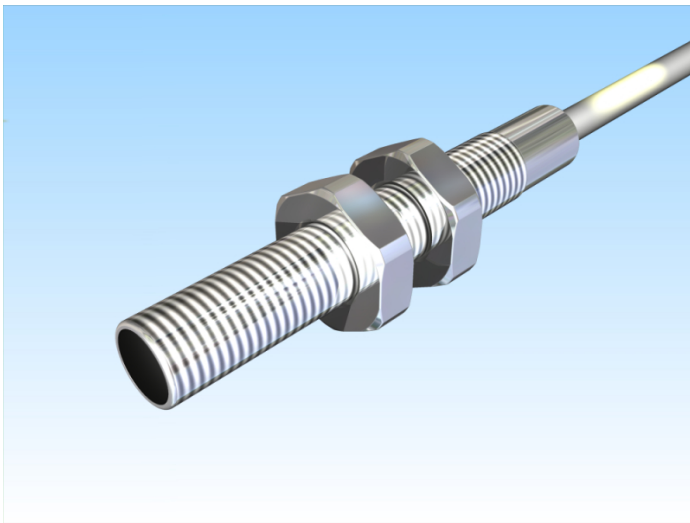


[Article Page](#)


Product Description

inductive sensor DC




Name  
Order number  
Switching distance  
Mounting

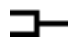
KJ0,6-M4EB-DPS-X0309  
08317801212  
0,6 mm

 shielded

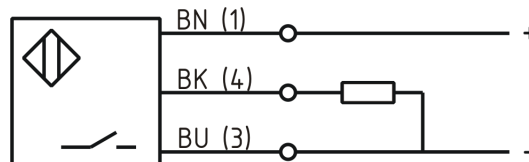
Switch type

 N.O.  
DC PNP

Signal Type  
Connection

 Cable

Connection diagramm



fine-pitch thread M4 x 25

Dimension (in mm)  
Technical Specification  
Operating voltage  
Max. ripple  
Voltage drop  
Max. load current  
No load current  
Leakage current  
Switching frequency  
Switching hysteresis  
Operating temperature  
Temperature drift  
Repeat accuracy  
Switching state  
Time delay  
Short-circuit proof  
Overload protection  
Reverse voltage protection  
Protection category  
EMC-level  
Housing material  
Material active face

10 - 30 VDC  
≤ 10 %  
1 V  
200 mA  
≤ 10 mA  
≤ 10 μA  
2000 Hz  
≤ 15 %  
-25 ° C to 70 ° C  
≤ 10 %  
≤ 2 %  
LED  
100 ms  
yes  
yes  
yes  
IP67  
DIN EN 60947-5-2:2008  
Stainless steel V2A  
POM



## KJ0,6-M4EB-DPS-X0309

Pulsotronic GmbH & Co. KG Neue Schichtstraße 14b 09366 Niederdorf Deutschland +49 (0)37296 930-200

|                           |                        |
|---------------------------|------------------------|
| Cable length              | 5 m                    |
| Utilisation category      | DC 13                  |
| Cable material            | PUR LIY11Y grau (gre   |
| Nominal operating voltage | 24 V DC                |
| Cable cross               | 3x0.15 mm <sup>2</sup> |

**Errors and omissions exceptet**