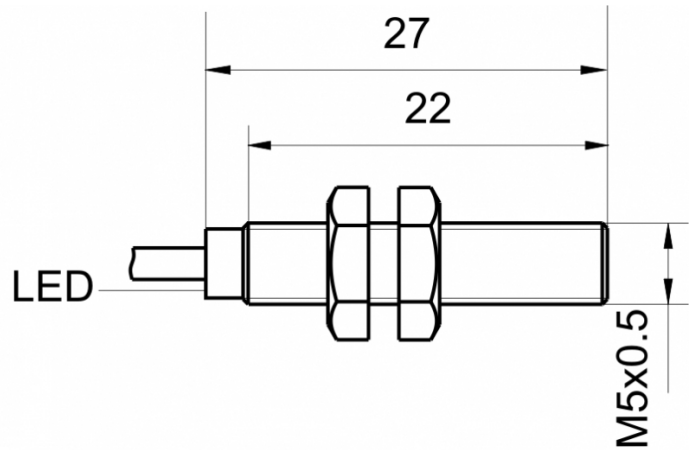
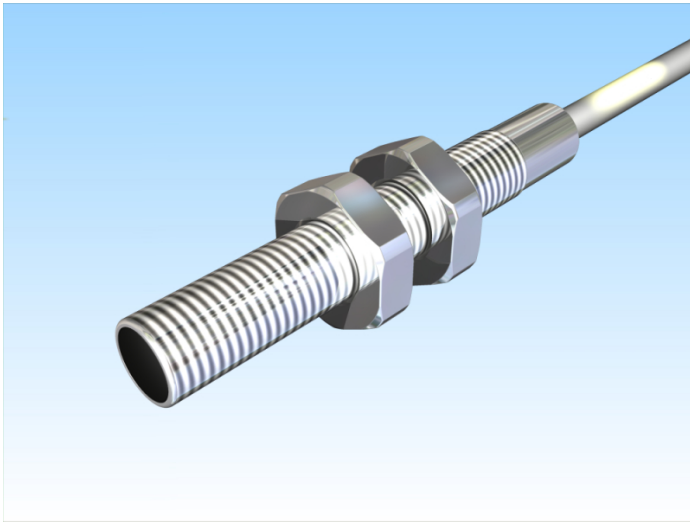


[Article Page](#)


Product Description

inductive sensor DC




Name  
Order number  
Matchcode  
Switching distance  
Mounting

KJ0,8-M5EB27-DNS  
08317802110  
9980-2110  
0,8 mm

 shielded

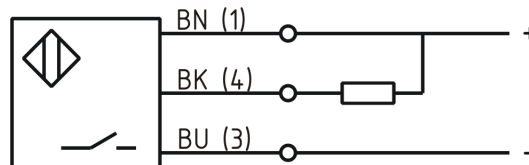
Switch type

 N.O.  
DC NPN

Signal Type  
Connection

 Cable

Connection diagramm



fine-pitch thread M5 x 27

Dimension (in mm)  
Technical Specification

Operating voltage  
Max. ripple  
Voltage drop  
Max. load current  
No load current  
Leakage current  
Switching frequency  
Switching hysteresis  
Operating temperature  
Temperature drift  
Repeat accuracy  
Switching state  
Time delay  
Short-circuit proof  
Overload protection  
Reverse voltage protection  
Protection category  
EMC-level  
Housing material

10 - 30 VDC  
≤ 10 %  
2 V  
200 mA  
≤ 13 mA  
≤ 10 μA  
2000 Hz  
≤ 15 %  
-25 ° C to 70 ° C  
≤ 10 %  
≤ 5 %  
LED  
100 ms  
yes  
yes  
yes  
IP67  
DIN EN 60947-5-2:2008  
Stainless steel V2A



## KJ0,8-M5EB27-DNS

Pulsotronic GmbH & Co. KG Neue Schichtstraße 14b 09366 Niederdorf Deutschland +49 (0)37296 930-200

Material active face	POM
Cable length	2 m
Utilisation category	DC13
Cable material	PUR LIY11Y
Cable cross	3x0.09 mm <sup>3</sup>
FIT / MTTF acc. to SIEMENS 29500	35,26 / 3238y

**Errors and omissions exceptet**