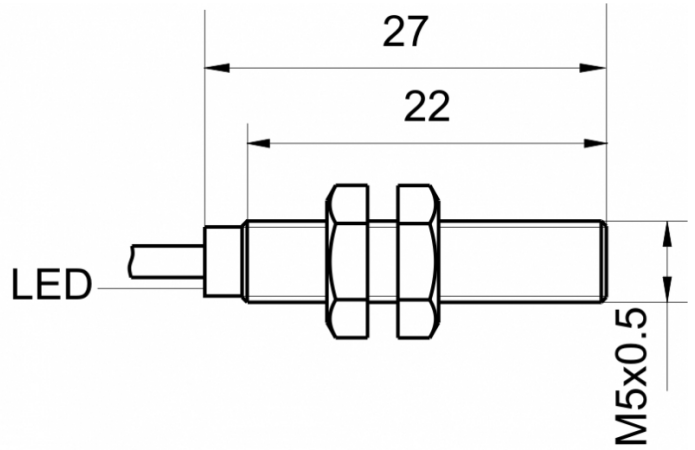
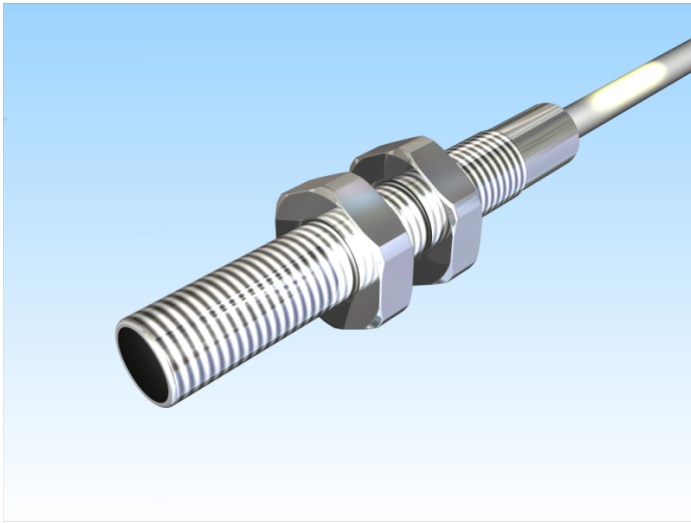


[Article Page](#)


Product Description

inductive sensor DC




Name
Order number
Matchcode
Switching distance
Mounting

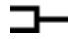
KJ0,8-M5EB27-DPS
08310000023
9980-2010
0,8 mm

 shielded

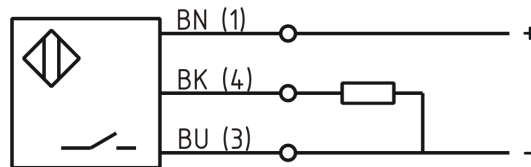
Switch type

 N.O.
DC PNP

Signal Type
Connection

 Cable

Connection diagramm



fine-pitch thread M5 x 27

Dimension (in mm)
Technical Specification
Operating voltage
Max. ripple
Voltage drop
Max. load current
No load current
Leakage current
Switching frequency
Switching hysteresis
Operating temperature
Temperature drift
Repeat accuracy
Switching state
Time delay
Short-circuit proof
Overload protection
Reverse voltage protection
Protection category
EMC-level
Housing material

10 - 30 VDC
≤ 10 %
2 V
200 mA
≤ 13 mA
≤ 10 μA
2000 Hz
≤ 15 %
-25 ° C to 70 ° C
≤ 10 %
≤ 5 %
LED
100 ms
yes
yes
yes
IP67
DIN EN 60947-5-2: 2008
Stainless steel V2A



KJ0,8-M5EB27-DPS

Pulsotronic GmbH & Co. KG Neue Schichtstraße 14b 09366 Niederdorf Deutschland +49 (0)37296 930-200

Material active face	Ultramid
Cable length	2 m
Utilisation category	DC13
Cable material	PUR LIY11Y schwarz
Nominal operating voltage	24 V DC
Cable cross	3x0.09 mm ²

Errors and omissions exceptet