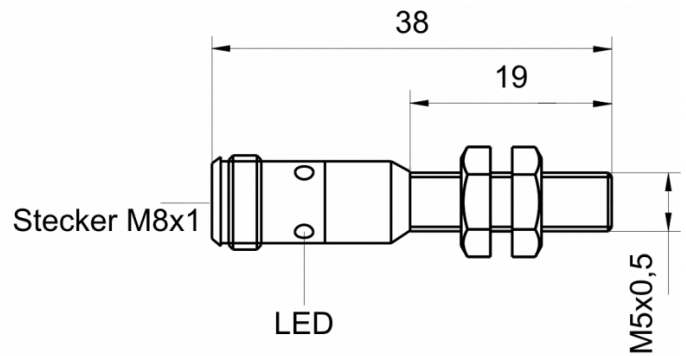


[Article Page](#)


Product Description

inductive sensor DC

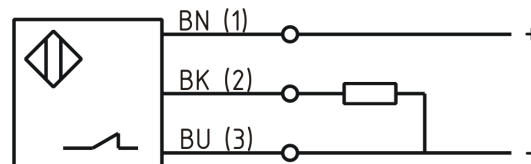


Name  
Order number  
Matchcode  
Switching distance  
Mounting  
  
Switch type  
  
Signal Type  
Connection  
Connection diagramm

KJ0,8-M5EB38-DPÖ-V1  
08317802464  
9980-2464  
0,8 mm

 shielded

 N.C.  
DC PNP  
connector M8



fine-pitch thread M5 x 38

Dimension (in mm)  
Technical Specification  
Operating voltage  
Max. ripple  
Voltage drop  
Max. load current  
No load current  
Leakage current  
Switching frequency  
Switching hysteresis  
Operating temperature  
Temperature drift  
Repeat accuracy  
Switching state  
Time delay  
Short-circuit proof  
Overload protection  
Reverse voltage protection  
Protection category  
EMC-level  
Housing material  
Material active face

10 - 30 VDC  
≤ 10 %  
2 V  
200 mA  
≤ 10 mA  
≤ 13 µA  
2000 Hz  
≤ 15 %  
-25 ° C to 70 ° C  
≤ 10 %  
≤ 5 %  
LED  
100 ms  
yes  
yes  
yes  
IP67  
DIN EN 60947-5-2:2008  
Stainless steel V2A  
POM



## KJ0,8-M5EB38-DPÖ-V1

Pulsotronic GmbH & Co. KG Neue Schichtstraße 14b 09366 Niederdorf Deutschland +49 (0)37296 930-200

Utilisation category	DC 13
Contact material	CuSn
Contact surface material	NiAu
Nominal operating voltage	24 V DC
Termination	Connector M8 3pin
FIT / MTTF acc. to SIEMENS 29500	37,37 / 3095y

**Errors and omissions exceptet**