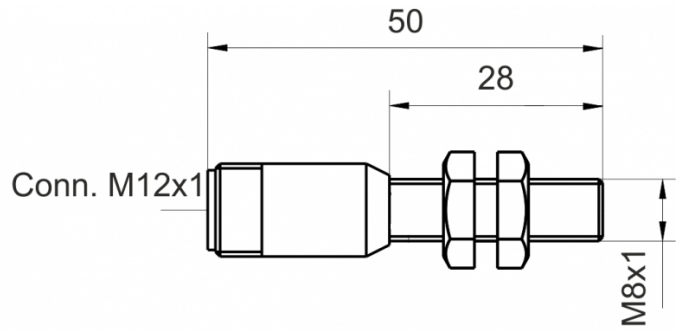


[Article Page](#)

Product Description

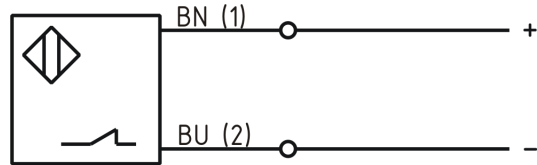
inductive sensor NAMUR



Name
 Order number
 Matchcode
 Switching distance
 Mounting

 Signal Type
 Connection
 Connection diagramm

KJ1-M8MB50-NA-V2
 08317320165
 9932-0165
 1 mm
 shielded
 Namur
 connector M12



fine-pitch thread M8 x 50

Dimension (in mm)
 Technical Specification
 Operating voltage
 Max. ripple
 No load current
 Switching frequency
 Operating temperature
 Temperature drift
 Repeat accuracy
 Time delay
 Short-circuit proof
 Overload protection
 Reverse voltage protection
 Protection category
 EMC-level
 Housing material
 Material active face
 Utilisation category
 Contact material
 Contact surface material
 Contact holder
 Nominal operating voltage
 Termination
 Load Current OFF
 LOAD Current ON

6 - 12 VDC
 $\leq 5 \%$
 $\leq 3,5$
 2000 Hz
 $-25 \text{ }^\circ\text{C}$ to $60 \text{ }^\circ\text{C}$
 $\leq 10 \%$
 $\leq 10 \%$
 100 ms
 yes
 yes
 yes
 IP67
 DIN EN 60947-5-6:2000-12
 Brass, nickel plated
 PCB
 DC 13
 CuSn
 NiAu
 PA 6
 8,2 V DC
 Connector M12 4pin
 ca. 0,5 mA
 ca. 3,5 mA



KJ1-M8MB50-NA-V2

Pulsotronic GmbH & Co. KG Neue Schichtstraße 14b 09366 Niederdorf Deutschland +49 (0)37296 930-200

FIT / MTTF acc. to SIEMENS 29500

18,38 / 6211y

Errors and omissions exceptet