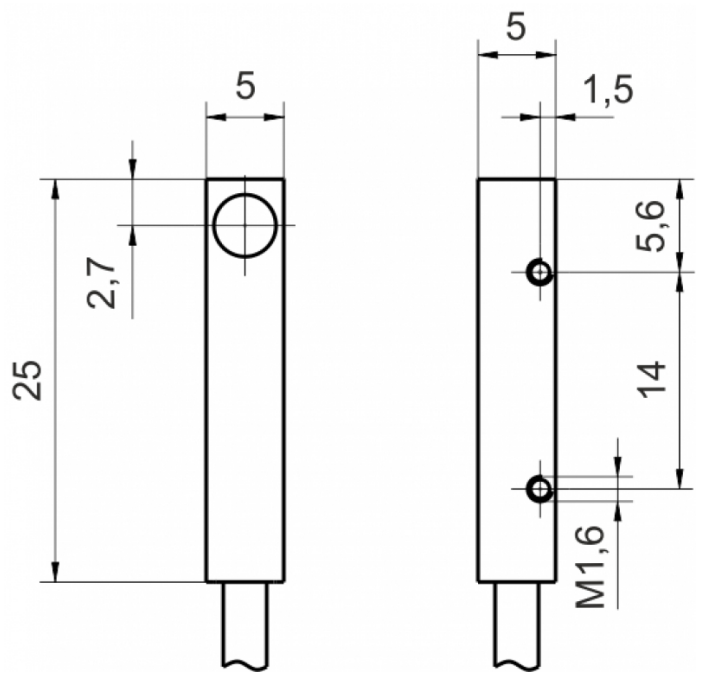
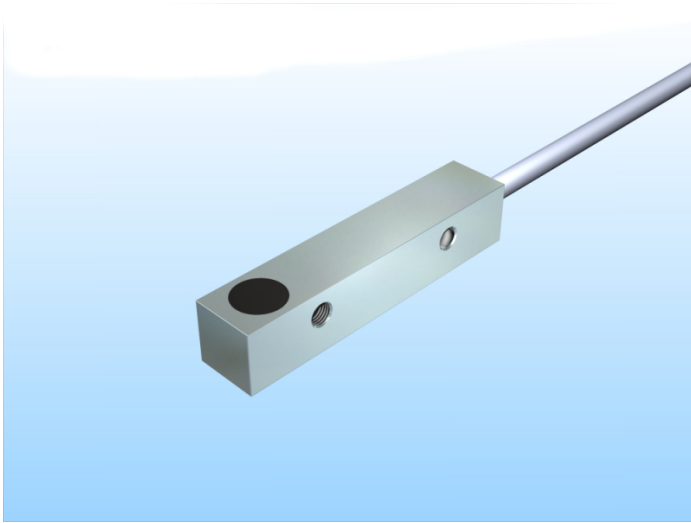


[Article Page](#)


Product Description

inductive sensor DC



Name
Order number
Switching distance
Mounting


KJ1-Q5MB25-DNÖ-X0303
08313550140
1 mm

 shielded

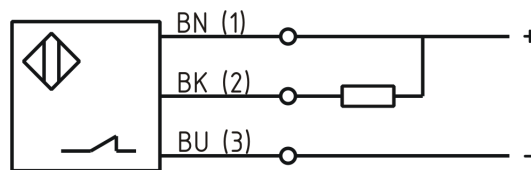
Switch type

 N.C.
DC NPN

Signal Type
Connection

 Cable

Connection diagramm



Dimension (in mm)
Technical Specification

Q 5 x 5 x 25

Operating voltage
Max. ripple
Voltage drop
Max. load current
No load current
Leakage current
Switching frequency
Switching hysteresis
Operating temperature
Temperature drift
Repeat accuracy
Switching state
Time delay
Short-circuit proof
Overload protection
Reverse voltage protection

10 - 30 VDC
≤ 10 %
2,4 V
200 mA
≤ 10 mA
≤ 10 μA
2000 Hz
≤ 15 %
-25 ° C to 70 ° C
≤ 10 %
≤ 5 %
LED
100 ms
yes
yes
yes

Protection category	IP67
EMC-level	DIN EN 60947-5-2:2008
Housing material	Brass, nickel plated
Material active face	PBT
Cable length	2 m
Utilisation category	DC 13
Cable material	PUR LIY11Y schwarz
Nominal operating voltage	24 V DC
Cable cross	3x0,14mm ²

Errors and omissions excepted