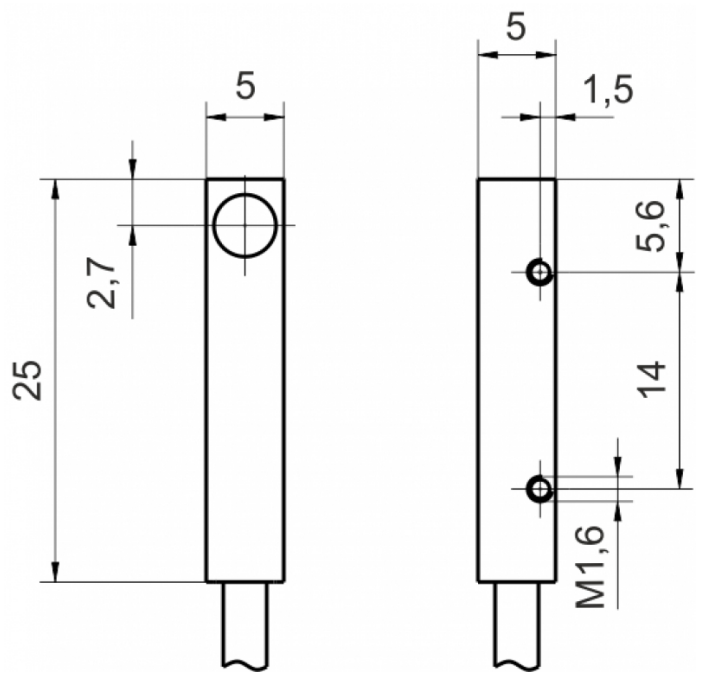
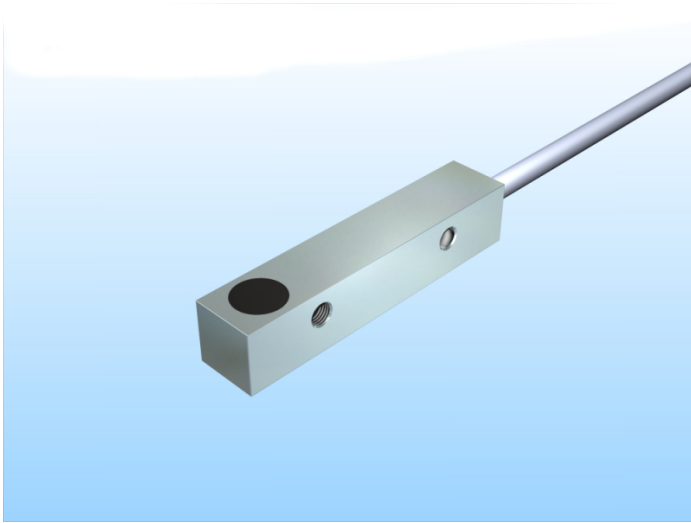


[Article Page](#)


Product Description

inductive sensor DC




Name  
Order number  
Switching distance  
Mounting


KJ1-Q5MB25-DNS-X0303  
08313550130  
1 mm

 shielded

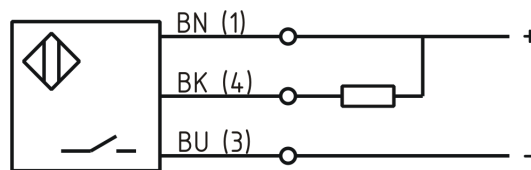
Switch type

 N.O.  
DC NPN

Signal Type  
Connection

 Cable

Connection diagramm



Dimension (in mm)  
Technical Specification

Q 5 x 5 x 25

Operating voltage  
Max. ripple  
Voltage drop  
Max. load current  
No load current  
Leakage current  
Switching frequency  
Switching hysteresis  
Operating temperature  
Temperature drift  
Repeat accuracy  
Switching state  
Time delay  
Short-circuit proof  
Overload protection  
Reverse voltage protection

10 - 30 VDC  
≤ 10 %  
2,4 V  
200 mA  
≤ 10 mA  
≤ 10 μA  
2000 Hz  
≤ 15 %  
-25 ° C to 70 ° C  
≤ 10 %  
≤ 5 %  
LED  
100 ms  
yes  
yes  
yes

Protection category	IP67
EMC-level	DIN EN 60947-5-2:2008
Housing material	Brass, nickel plated
Material active face	PBT
Cable length	2 m
Utilisation category	DC 13
Cable material	PUR LIY11Y schwarz
Nominal operating voltage	24 V DC
Cable cross	3x0,14 mm <sup>2</sup>

**Errors and omissions exceptet**