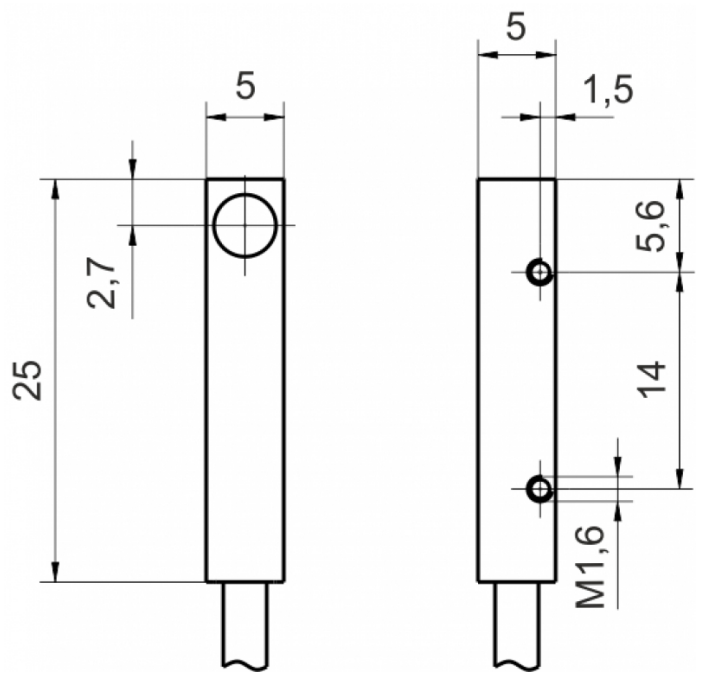
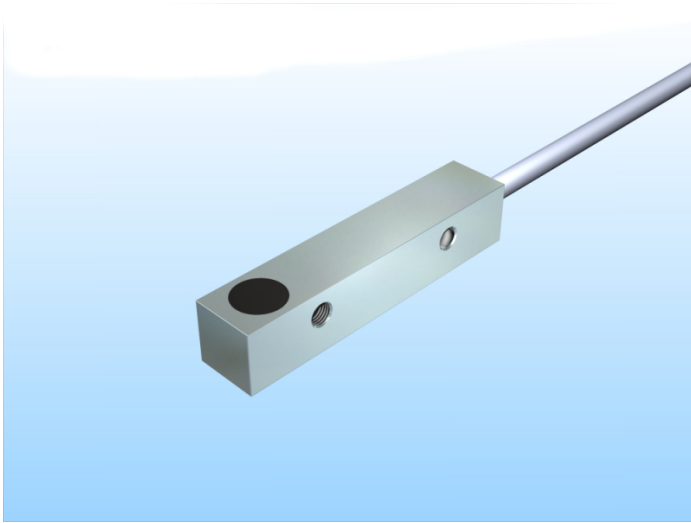


[Article Page](#)


Product Description

inductive sensor DC




Name
Order number
Switching distance
Mounting


KJ1-Q5MB25-DNS-X0303
08313550130
1 mm

 shielded

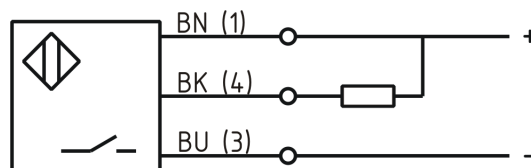
Switch type

 N.O.
DC NPN

Signal Type
Connection

 Cable

Connection diagramm



Q 5 x 5 x 25

Dimension (in mm)
Technical Specification
Operating voltage
Max. ripple
Voltage drop
Max. load current
No load current
Leakage current
Switching frequency
Switching hysteresis
Operating temperature
Temperature drift
Repeat accuracy
Switching state
Time delay
Short-circuit proof
Overload protection
Reverse voltage protection

10 - 30 VDC
≤ 10 %
2,4 V
200 mA
≤ 10 mA
≤ 10 μA
2000 Hz
≤ 15 %
-25 ° C to 70 ° C
≤ 10 %
≤ 5 %
LED
100 ms
yes
yes
yes

Protection category	IP67
EMC-level	DIN EN 60947-5-2:2008
Housing material	Brass, nickel plated
Material active face	PBT
Cable length	2 m
Utilisation category	DC 13
Cable material	PUR LIY11Y schwarz
Nominal operating voltage	24 V DC
Cable cross	3x0,14 mm ²

Errors and omissions exceptet