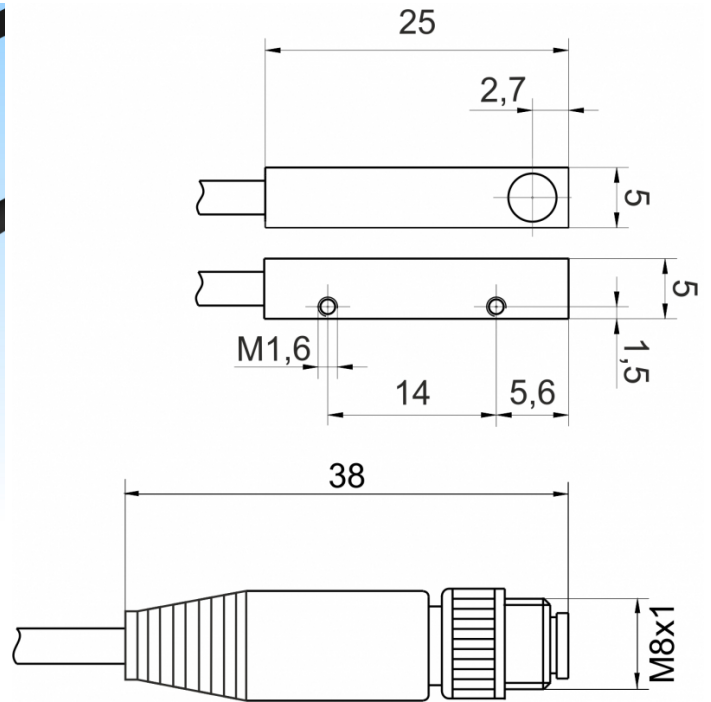
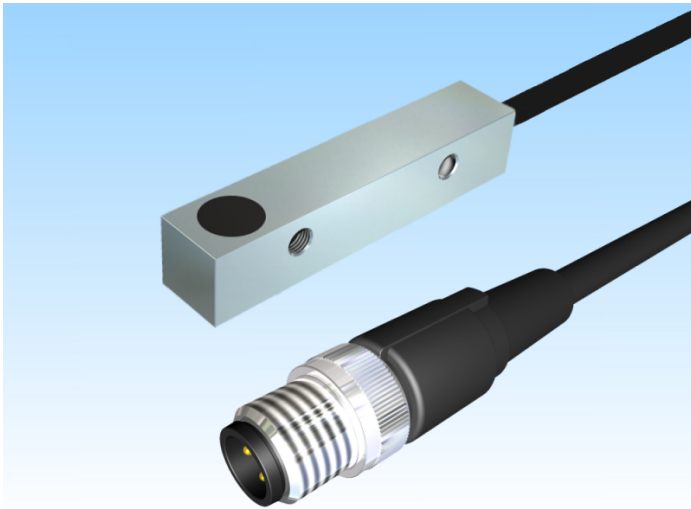


[Article Page](#)

Product Description

inductive sensor DC

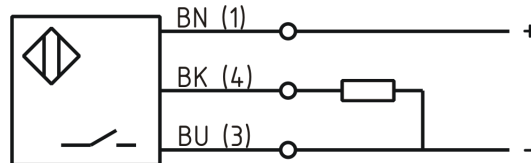


Name
Order number
Switching distance
Mounting

Switch type

Signal Type
Connection
Connection diagramm

KJ1-Q5MB25-DPS-X0429
08313550160
1 mm
 shielded
 N.O.
DC PNP
connector M8



Dimension (in mm)
Technical Specification
Operating voltage
Max. ripple
Voltage drop
Max. load current
No load current
Leakage current
Switching frequency
Switching hysteresis
Operating temperature
Temperature drift
Repeat accuracy
Switching state
Time delay
Short-circuit proof
Overload protection
Reverse voltage protection

Q 5 x 5 x 25
10 - 30 VDC
≤ 10 %
2,4 V
200 mA
≤ 10 mA
≤ 10 μA
2000 Hz
≤ 15 %
-25 ° C to 70 ° C
≤ 10 %
≤ 5 %
LED
100 ms
yes
yes
yes

| | |
|----------------------------------|------------------------|
| Protection category | IP67 |
| EMC-level | DIN EN 60947-5-2:2008 |
| Housing material | Brass, nickel plated |
| Material active face | PBT |
| Cable length | 300 mm |
| Utilisation category | DC 13 |
| Contact material | CuSn |
| Contact surface material | NiAu |
| Contact holder | TPU |
| Cable material | PUR LIFY11Y schwarz |
| Cable cross | 3x0,14 mm ² |
| Termination | Pigtail M8 |
| FIT / MTTF acc. to SIEMENS 29500 | 39,06 / 2923y |

Errors and omissions excepted