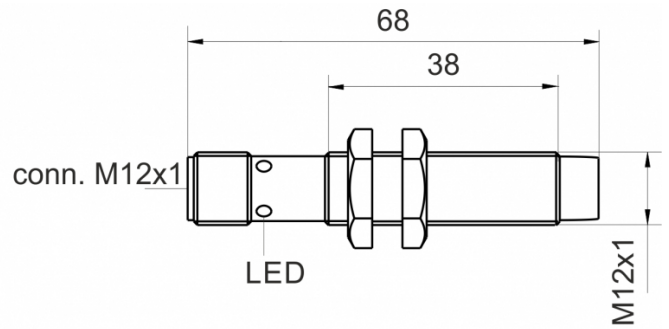
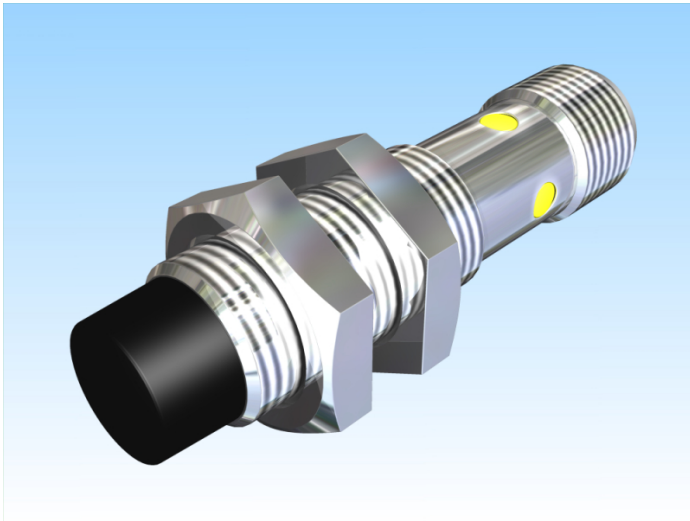


[Article Page](#)

Product Description

inductive sensor DC



Name
Order number
Switching distance
Mounting

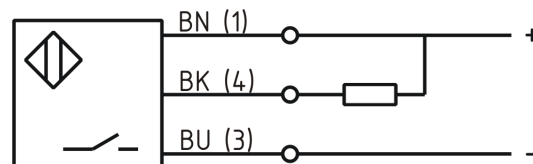
Switch type

Signal Type
Connection
Connection diagramm

KJ10-M12MN68-DNS-V2
08313101232
10 mm

non shielded

N.O.
DC NPN
connector M12



fine-pitch thread M12 x 68

Dimension (in mm)
Technical Specification
Operating voltage
Max. ripple
Voltage drop
Max. load current
No load current
Leakage current
Switching frequency
Switching hysteresis
Operating temperature
Temperature drift
Repeat accuracy
Switching state
Time delay
Short-circuit proof
Overload protection
Reverse voltage protection
Protection category
EMC-level
Housing material
Material active face
Utilisation category

10 - 30 VDC
≤ 10 %
1 V
200 mA
≤ 10 mA
≤ 10 μA
500 Hz
≤ 15 %
-25 ° C to 70 ° C
< 10 %
≤ 5 %
LED
300 ms
yes
yes
yes
IP67
DIN EN 60947-5-2:2008
Brass, nickel plated
PBT
DC 13



KJ10-M12MN68-DNS-V2

Pulsotronic GmbH & Co. KG Neue Schichtstraße 14b 09366 Niederdorf Deutschland +49 (0)37296 930-200

Contact material
Contact surface material
Nominal operating voltage
Termination

CuSn
NiAu
24 V DC
Connector M12 4pin

Errors and omissions exceptet