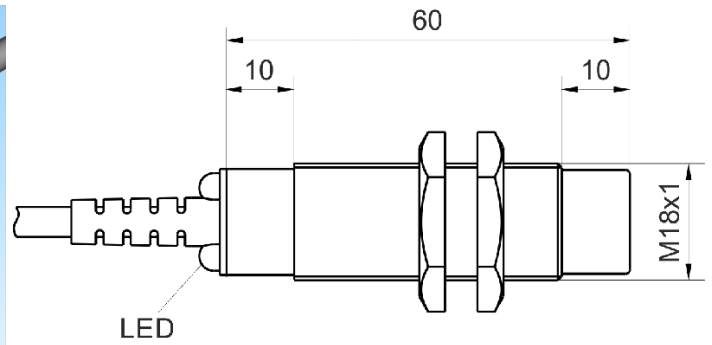


[Article Page](#)


Product Description

inductive sensor analogue




Name
Order number
art_schaltabstand_einstellbar
Switching distance
Mounting

KJ10-M18MN60-ANU-DPSS
08317144730
yes
from 0,5 mm to 10 mm

 non shielded

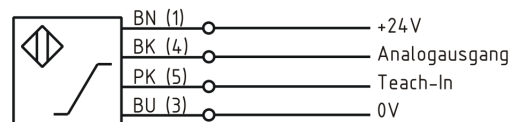
 Programmable
Analog Voltage

 Cable

Switch type

Signal Type
Connection

Connection diagramm



Dimension (in mm)
Technical Specification
Special features

fine-pitch thread M18 x 60

Operating voltage
Max. ripple
Voltage drop
No load current
Switching frequency
Operating temperature
Temperature drift
Repeat accuracy
Linearity
Time delay
Protection category
EMC-level
Housing material
Material active face
Cable length
Utilisation category
Cable material
Nominal operating voltage
Cable cross

analog Output with two additional teachable digital switching points
11 - 30 V DC
≤ 5 %
3 V
≤ 10 mA
200 Hz
-25 ° C to 70 ° C
+/-8 %
≤ 1 %
≤ 3 %
300 ms
IP67
DIN EN 60947-5-7:2004-06
Brass, nickel plated
PA 6.6
2 m
DC 13
PVC LIYY grau (grey)
24 V DC
4x0.34 mm²



KJ10-M18MN60-ANU-DPSS

Pulsotronic GmbH & Co. KG Neue Schichtstraße 14b 09366 Niederdorf Deutschland +49 (0)37296 930-200

FIT / MTTF acc. to SIEMENS 29500

334,07 / 342y

Errors and omissions exceptet