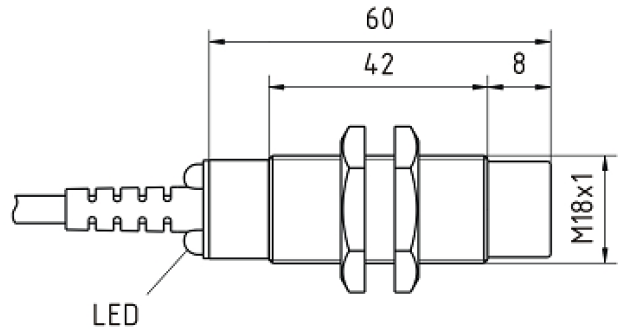
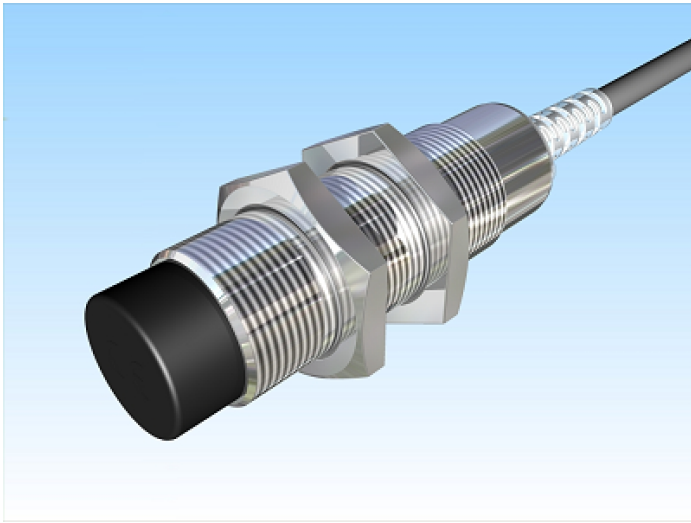


[Article Page](#)

Product Description

inductive sensor AC



Name
Order number
Matchcode
Switching distance
Mounting

KJ10-M18MN60-AZÖ
08317211700
9921-1700
10 mm

non shielded

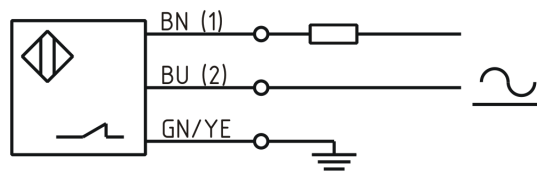
Switch type

N.C.
AC

Signal Type
Connection

Cable

Connection diagramm



fine-pitch thread M18 x 60

Dimension (in mm)
Technical Specification
Operating voltage
Voltage drop
Max. load current
Leakage current
Switching frequency
Switching hysteresis
Operating temperature
Temperature drift
Repeat accuracy
Switching state
Short-circuit proof
Overload protection
Reverse voltage protection
Protection category
EMC-level
Material active face
Termination

20 - 250 VAC
5 V
300 mA
≤ 2 mA
15
≤ 15 %
-25 ° C to 70 ° C
≤ 10 %
≤ 5 %
LED
yes
yes
yes
IP67
DIN EN 60947-5-2:2008
PCB
2m PVC 3x0,5mm²



KJ10-M18MN60-AZÖ

Pulsotronic GmbH & Co. KG Neue Schichtstraße 14b 09366 Niederdorf Deutschland +49 (0)37296 930-200

Errors and omissions exceptet