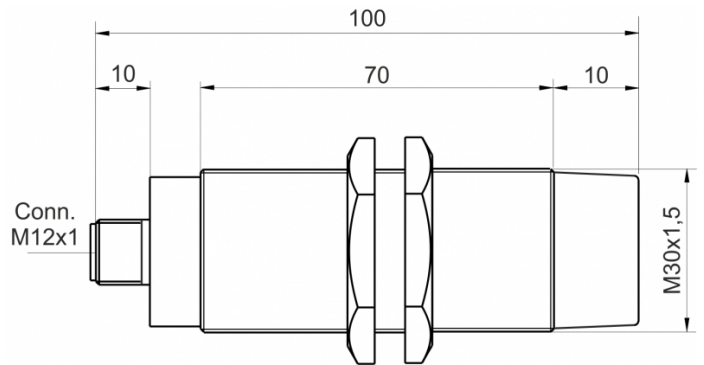
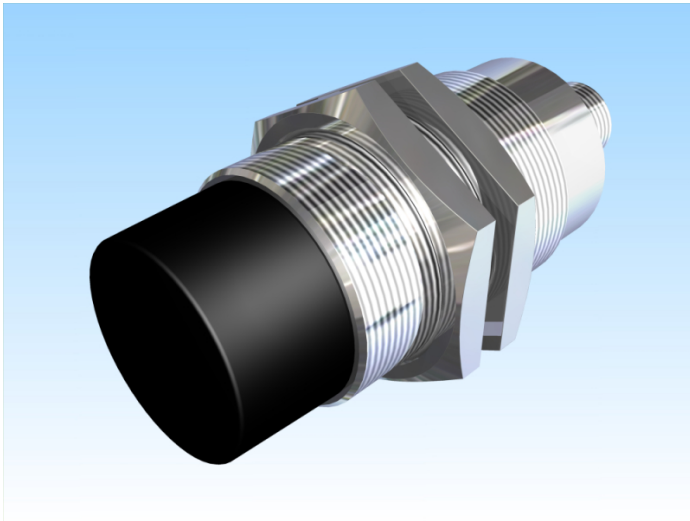


[Article Page](#)

Product Description

inductive sensor analogue

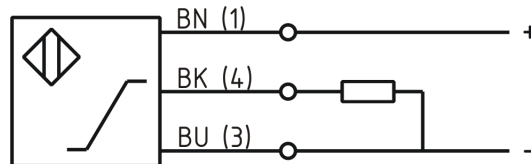


Name  
Order number  
Matchcode  
Switching distance  
Mounting  
  
Switch type  
  
Signal Type  
Connection  
Connection diagramm

KJ14-M30MN100-ANU-V2  
08317140565  
9914-0565  
from 7 mm to 14 mm

 non shielded

 analog  
Analog Voltage  
connector M12



fine-pitch thread M30 x 100

Dimension (in mm)  
Technical Specification  
Special features

Output Voltage 1 .. 9 Volt  
opposite mounting possible with type  
08317140600 (F2)

Operating voltage  
Max. ripple  
No load current  
Switching frequency  
Operating temperature  
Temperature drift  
Repeat accuracy  
Linearity  
Analog output  
Time delay  
Resolution  
Reverse voltage protection  
Protection category  
EMC-level  
Housing material  
Material active face  
Rated operating current at 40° C

18 - 30 VDC  
≤ 5 %  
≤ 10 mA  
30 Hz  
-25 ° C to 70 ° C  
+/- 8 %  
≤ 1 %  
≤ 3 %  
Pulso\_has-1  
300 ms  
1,143 V / mm  
yes  
IP67  
DIN EN 60947-5-7:2004-06  
Brass, nickel plated  
PCB  
5 mA



## KJ14-M30MN100-ANU-V2

Pulsotronic GmbH & Co. KG Neue Schichtstraße 14b 09366 Niederdorf Deutschland +49 (0)37296 930-200

Rated operating voltage	
Utilisation category	DC 13
Contact material	CuSn
Contact surface material	NiAu
Contact holder	PA 6
Nominal operating voltage	24 V DC
Termination	Connector M12 4pin
internal load resistor	