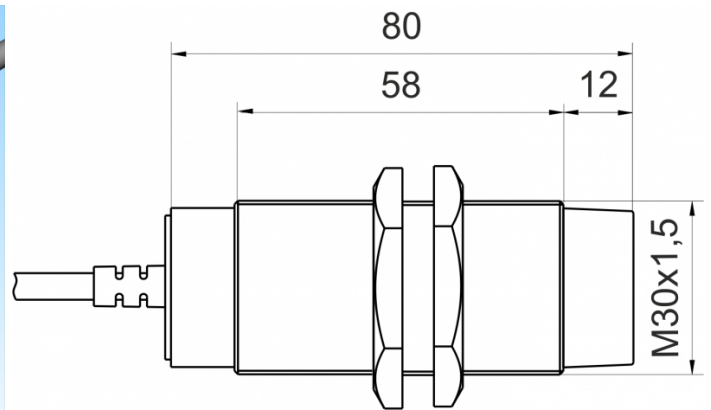
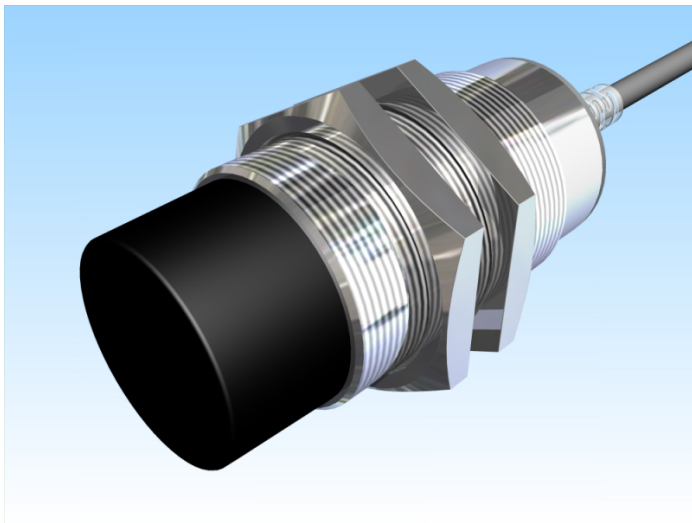


[Article Page](#)

Product Description

inductive sensor analogue



Name  
Order number  
Matchcode  
Switching distance  
Mounting

KJ14-M30MN80-ANU-4BIT-X0409  
08317141002  
9914-1002  
from 7 mm to 14 mm

Switch type

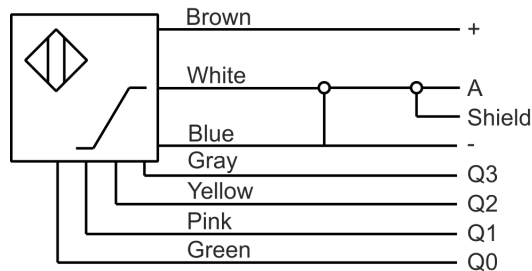
non shielded

Signal Type  
Connection

analog voltage  
Analog Voltage

Connection diagramm

Cable



Dimension (in mm)  
Technical Specification  
Special features

fine-pitch thread M30 x 80

Operating voltage  
Max. ripple  
No load current  
Switching frequency  
Operating temperature  
Temperature drift  
Repeat accuracy  
Linearity  
Digital output

Output Voltage 1 ... 9 Volt  
additional 4-Bit digital NPN-Output  
5m Connecting cable  
18 - 30 VDC  
≤ 5 %  
≤ 10 mA  
30 Hz  
-25 ° C to 70 ° C  
+/- 8 %  
≤ 1 %  
≤ 3 %  
4-Bit digital NPN Output:  
Grey = Q3  
yellow = Q2  
purple = Q1  
green = Q0  
300 ms

Time delay



## KJ14-M30MN80-ANU-4BIT-X0409

Pulsotronic GmbH & Co. KG Neue Schichtstraße 14b 09366 Niederdorf Deutschland +49 (0)37296 930-200

Resolution	1,143 V / mm
Reverse voltage protection	yes
Protection category	IP67
EMC-level	DIN EN 60947-5-7:2004-06
Housing material	Brass, nickel plated
Material active face	PCB
Cable length	5 m
Utilisation category	DC 13
Cable material	PVC LIY-LIYC-Y Scree
Nominal operating voltage	24 V DC
Cable cross	6x 0.14 mm <sup>2</sup> + S
internal load resistor	