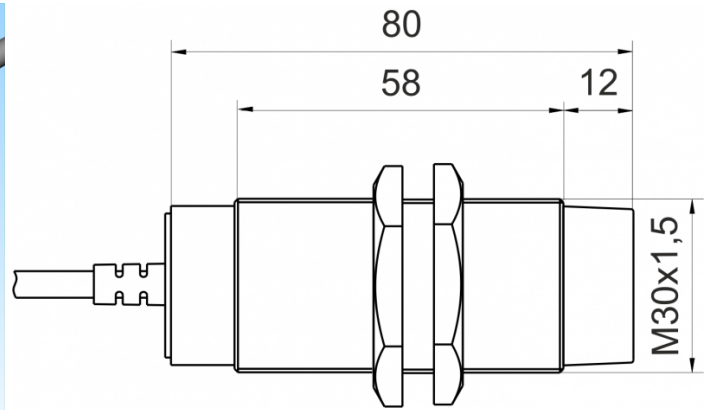
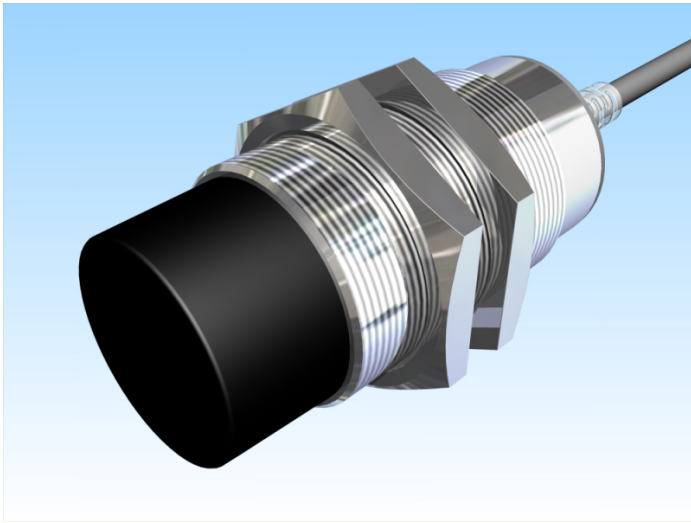


[Article Page](#)

Product Description

inductive sensor analogue



Name
Order number
Matchcode
Switching distance
Mounting

KJ14-M30MN80-ANU-4BIT
08317141000
9914-1000
from 7 mm to 14 mm

Switch type

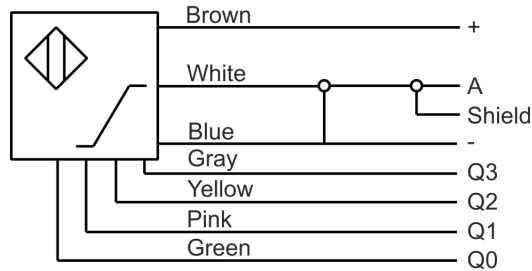
non shielded

Signal Type
Connection

analog voltage
Analog Voltage

Connection diagramm

Cable



Dimension (in mm)
Technical Specification
Special features

fine-pitch thread M30 x 80

Operating voltage
Max. ripple
No load current
Switching frequency
Operating temperature
Temperature drift
Repeat accuracy
Linearity
Digital output

Output Voltage 1 ... 9 Volt
additional 4-Bit digital NPN-Output
18 - 30 VDC
≤ 5 %
≤ 10 mA
30 Hz
-25 ° C to 70 ° C
+/- 8 %
≤ 1 %
≤ 3 %
4-Bit digital NPN Output:
Grey = Q3
yellow = Q2
purple = Q1
green = Q0
300 ms
1,143 V / mm

Time delay
Resolution

Reverse voltage protection	yes
Protection category	IP67
EMC-level	DIN EN 60947-5-7:2004-06
Housing material	Brass, nickel plated
Material active face	PCB
Cable length	2 m
Utilisation category	DC 13
Cable material	PVC LIY-LIYC-Y Scree
Nominal operating voltage	24 V DC
Cable cross	6x 0.14 mm ² + S
internal load resistor	