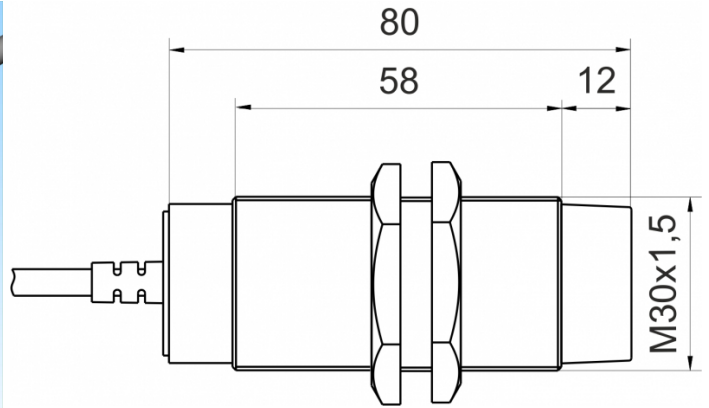
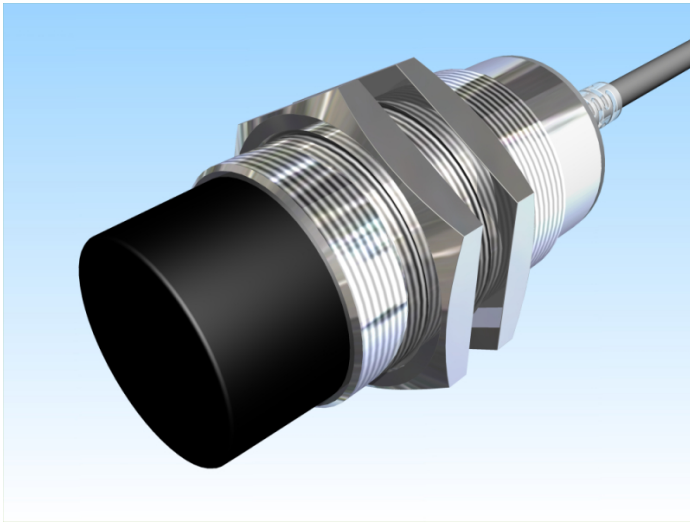


[Article Page](#)

Product Description


inductive sensor analogue




Name
Order number
Matchcode
Switching distance
Mounting

KJ14-M30MN80-ANU-F2
08317140600
9914-0600
from 7 mm to 14 mm


Switch type

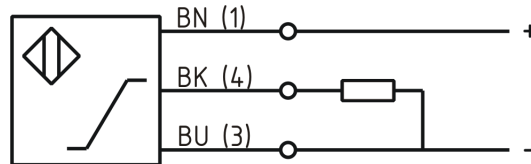
 non shielded

Signal Type
Connection

 analog voltage
Analog Voltage

Connection diagramm

 Cable



Dimension (in mm)
Technical Specification
Special features

fine-pitch thread M30 x 80

Operating voltage
Max. ripple
No load current
Switching frequency
Operating temperature
Temperature drift
Repeat accuracy
Linearity
Time delay
Resolution
Reverse voltage protection
Protection category
EMC-level
Housing material
Material active face
Cable length
Utilisation category

Output Voltage 1 ... 9 Volt
opposite mounting possible with type 08317140500 (F1)
18 - 30 VDC
≤ 5 %
≤ 10 mA
100 Hz
-25 ° C to 70 ° C
+/- 8 %
≤ 1 %
≤ 3 %
300 ms
1,143 V / mm
yes
IP67
DIN EN 60947-5-7:2004-06
Brass, nickel plated
PCB
2 m
DC 13



KJ14-M30MN80-ANU-F2

Pulsotronic GmbH & Co. KG Neue Schichtstraße 14b 09366 Niederdorf Deutschland +49 (0)37296 930-200

Cable material
Nominal operating voltage
Cable cross
internal load resistor

PVC LIYCY grau Scree
24 V DC
3x0.14 mm³