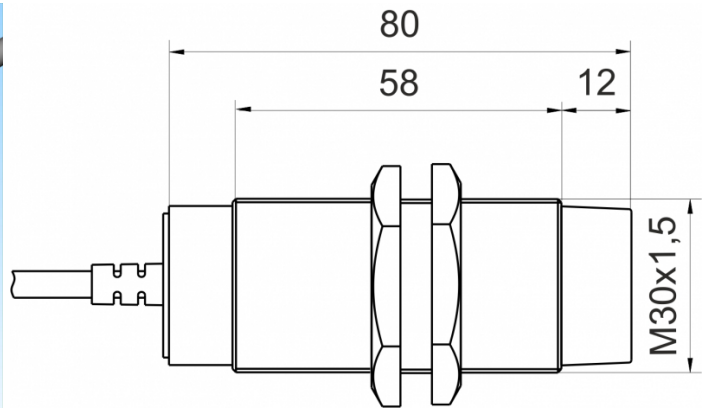
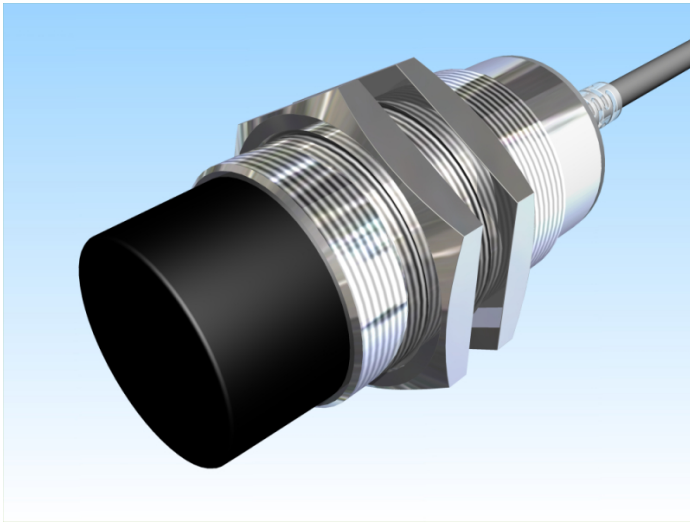


[Article Page](#)

Product Description


inductive sensor analogue



Name
Order number
Matchcode
Switching distance
Mounting

KJ14-M30MN80-ANU-X0409
08317140502
9914-0502
from 7 mm to 14 mm

Switch type

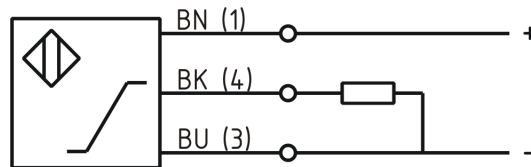
 non shielded

Signal Type
Connection

 analog
Analog Voltage

Connection diagramm

 Cable



fine-pitch thread M30 x 80

Dimension (in mm)
Technical Specification
Special features

Output Voltage 1 .. 9 Volt
5m connecting cable
18 - 30 VDC

Operating voltage
Max. ripple
No load current
Switching frequency
Operating temperature
Temperature drift
Repeat accuracy
Linearity
Analog output
Time delay
Resolution
Reverse voltage protection
Protection category
EMC-level
Housing material
Material active face
Rated operating current at 40° C

≤ 5 %
≤ 10 mA
30 Hz
-25 ° C to 70 ° C
+/- 8 %
≤ 1 %
≤ 3 %
Pulso_has-1
300 ms
1,143 V / mm
yes
IP67
DIN EN 60947-5-7:2004-06
Brass, nickel plated
PCB
5 mA



KJ14-M30MN80-ANU-X0409

Pulsotronic GmbH & Co. KG Neue Schichtstraße 14b 09366 Niederdorf Deutschland +49 (0)37296 930-200

Rated operating voltage

Cable length

Utilisation category

Cable material

Nominal operating voltage

Cable cross

internal load resistor

5 m

DC 13

PVC LIYCY grau (grey)

24 V DC

3x0.14 mm²