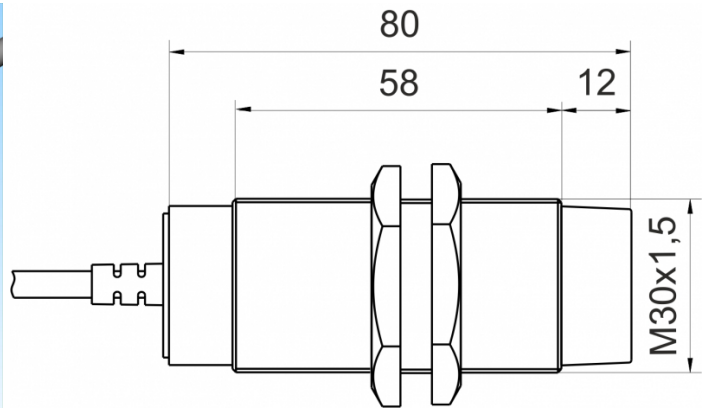
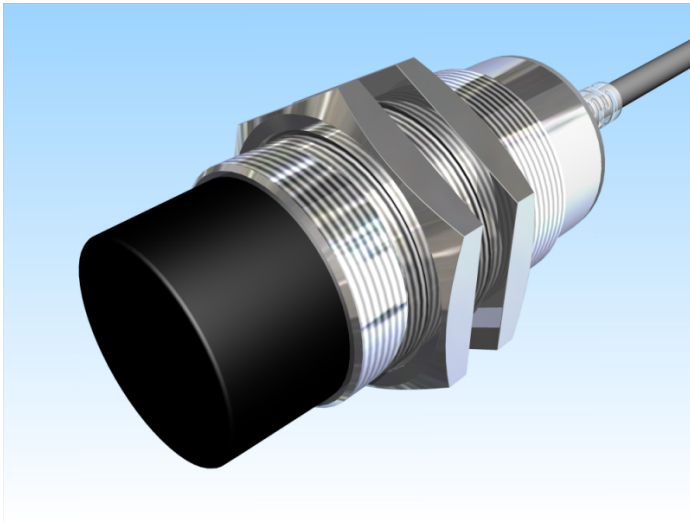


[Article Page](#)

Product Description

inductive sensor analogue



Name
Order number
Matchcode
Switching distance
Mounting

KJ14-M30MN80-ANU-X0419
08317140507
9914-0507
from 7 mm to 14 mm

Switch type

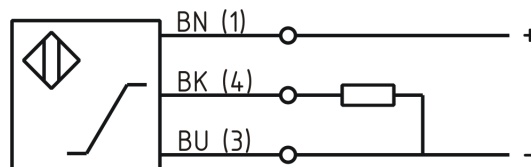
non shielded

Signal Type
Connection

analog
Analog Voltage

Connection diagramm

Cable



Dimension (in mm)
Technical Specification
Special features

fine-pitch thread M30 x 80

Operating voltage
Max. ripple
No load current
Switching frequency
Operating temperature
Temperature drift
Repeat accuracy
Linearity
Analog output
Time delay
Resolution
Reverse voltage protection
Protection category
EMC-level
Housing material
Material active face
Rated operating current at 40° C

Output Voltage 1 .. 9 Volt
10m connecting cable
18 - 30 VDC
≤ 5 %
≤ 10 mA
30 Hz
-25 ° C to 70 ° C
+/- 8 %
≤ 1 %
≤ 3 %
Pulso_has-1
300 ms
1,143 V / mm
yes
IP67
DIN EN 60947-5-7:2004-06
Brass, nickel plated
PCB
5 mA



KJ14-M30MN80-ANU-X0419

Pulsotronic GmbH & Co. KG Neue Schichtstraße 14b 09366 Niederdorf Deutschland +49 (0)37296 930-200

Rated operating voltage	
Cable length	10 m
Utilisation category	DC 13
Cable material	PVC LIYCY grau (grey)
Nominal operating voltage	24 V DC
Cable cross	3x0.14 mm ²
internal load resistor	