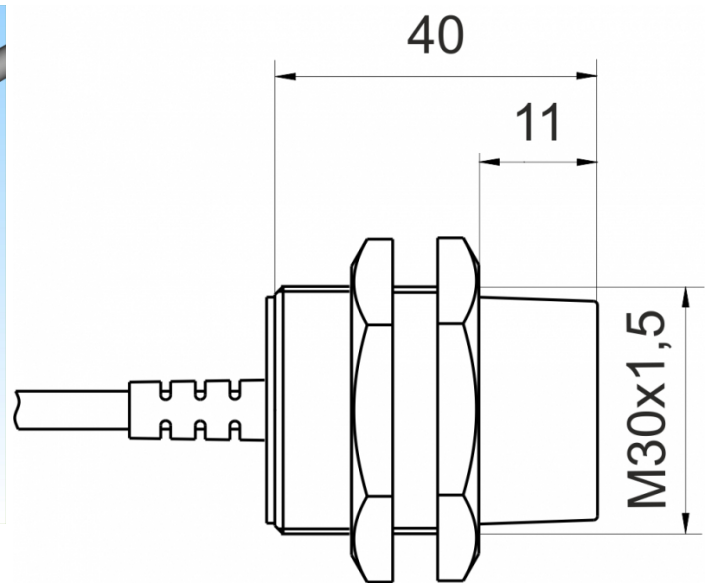
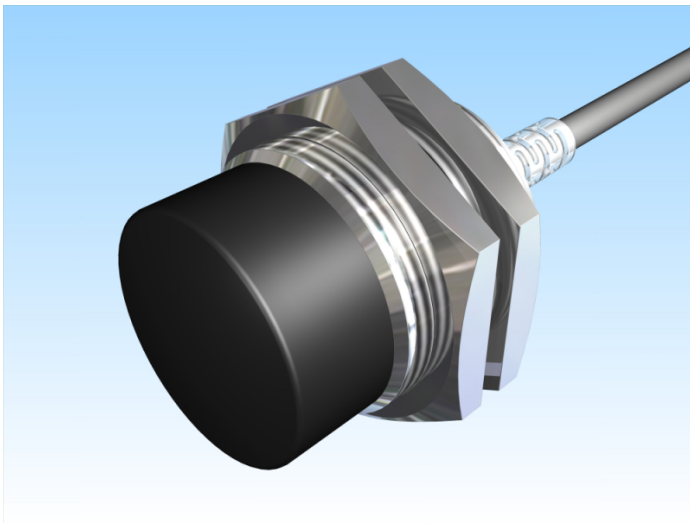


[Article Page](#)

Product Description


inductive sensor analogue



Name
Order number
Switching distance
Mounting

KJ15-M30MN40-ANU
08317144600
from 3 mm to 15 mm

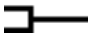
Switch type

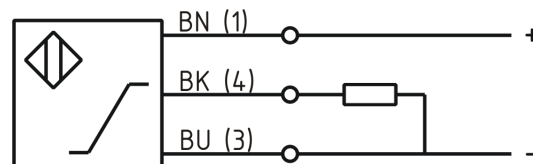
 non shielded

Signal Type
Connection

 analog
Analog Voltage

Connection diagramm

 Cable



fine-pitch thread M30 x 40

Dimension (in mm)
Technical Specification
Special features
Operating voltage
Max. ripple
No load current
Switching frequency
Operating temperature
Temperature drift
Repeat accuracy
Linearity
Analog output
Time delay
Resolution
Reverse voltage protection
Protection category
EMC-level
Housing material
Material active face
Cable length

Output Voltage 1 ... 9 Volt
11 - 35 VDC
≤ 10 %
≤ 5 mA
150 Hz
-25 ° C to 70 ° C
+/- 5 %
≤ 1 %
≤ 5 %
Pulso_has-1
300 ms
0,67 V / mm
yes
IP67
DIN EN 60947-5-7:2004-06
Brass, nickel plated
PCB
2 m



KJ15-M30MN40-ANU

Pulsotronic GmbH & Co. KG Neue Schichtstraße 14b 09366 Niederdorf Deutschland +49 (0)37296 930-200

Utilisation category
Cable material
Nominal operating voltage
Cable cross
internal load resistor

DC 13
PVC LIYY grau (grey)
24 V DC
3x0.34 mm²