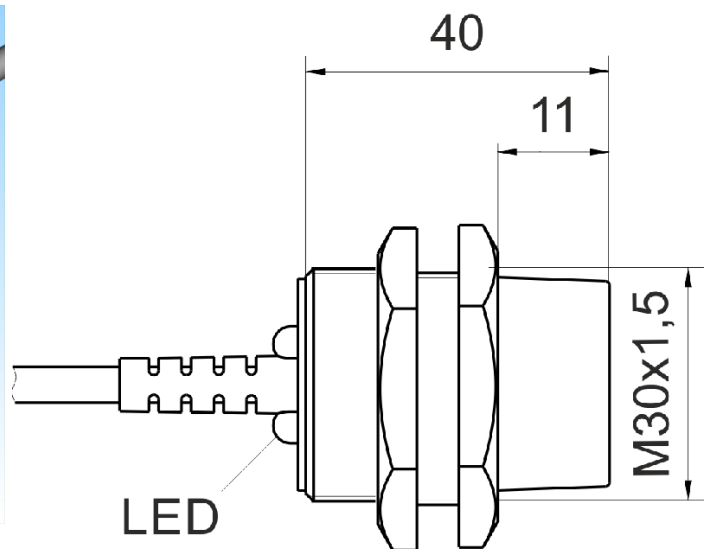
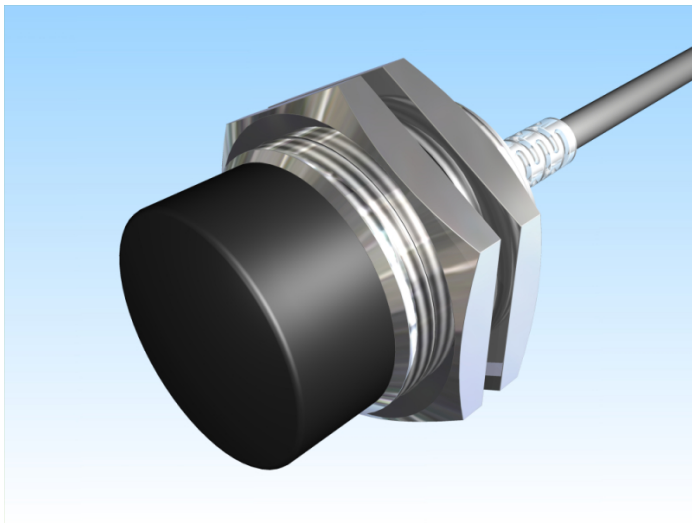


[Article Page](#)

Product Description

inductive sensor temperature immune



Name
Order number
Matchcode
Switching distance
Mounting

KJ15-M30MN40-DPS-T-X0309
08317666112
9966-6112
15 mm

non shielded

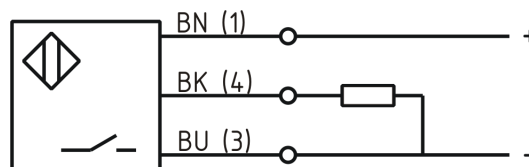
Switch type

N.O.
DC PNP

Signal Type
Connection

Cable

Connection diagramm



fine-pitch thread M30 x 40

Dimension (in mm)
Technical Specification

temperature resistant up to 100C

Special features

10 - 30 V DC

Operating voltage

≤ 10 %

Max. ripple

2,4 V

Voltage drop

Max. load current

200 mA

No load current

≤ 10 mA

Leakage current

≤ 10 μA

Switching frequency

300 Hz

Switching hysteresis

≤ 15 %

Operating temperature

-40 ° C to 100 ° C

Temperature drift

≤ 15 %

Repeat accuracy

≤ 10 %

Switching state

LED

Time delay

300 ms

Short-circuit proof

yes

Overload protection

yes

Reverse voltage protection

yes

Protection category

IP67

EMC-level	DIN EN 60947-5-2:2008
Housing material	Brass, nickel plated
Material active face	Ultramid B3ZG3
Cable length	5 m
Utilisation category	DC 13
Cable material	PUR LIFY11Y schwarz
Nominal operating voltage	24 V DC
Cable cross	3x0.34 mm ²
FIT / MTTF acc. to SIEMENS 29500	50,73 / 2250y

Errors and omissions exceptet