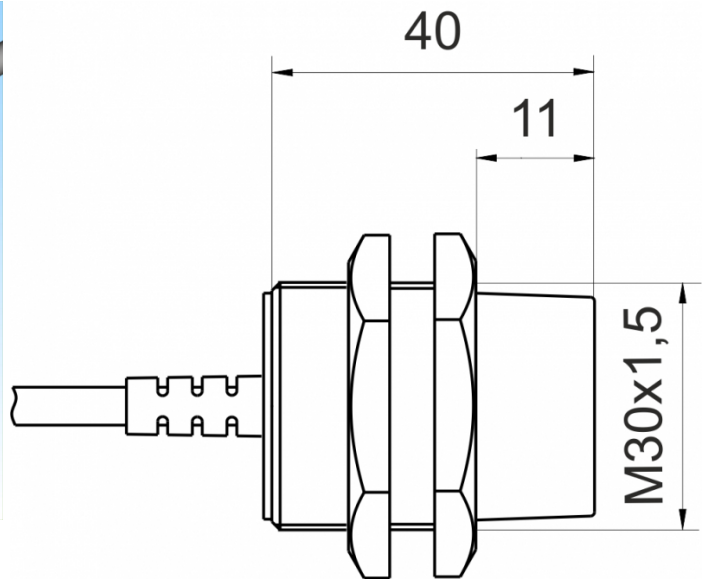
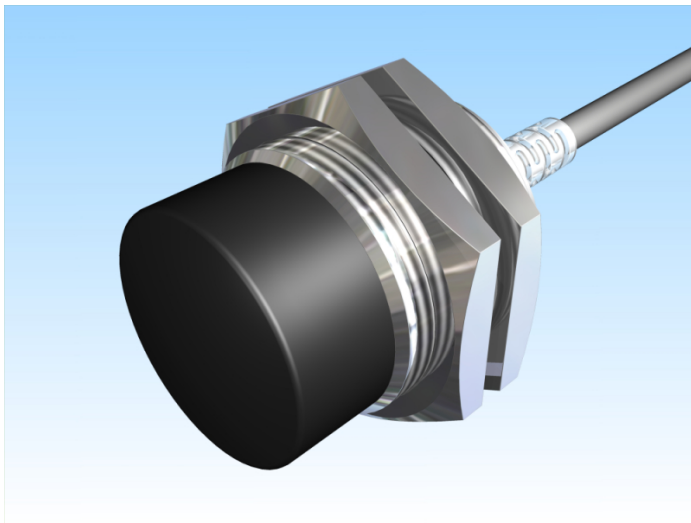


[Article Page](#)

Product Description


inductive sensor NAMUR




Name
Order number
Matchcode
Switching distance
Mounting

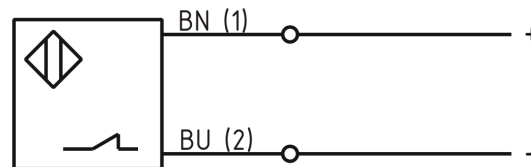
KJ15-M30MN40-NA
08317320800
9932-0800
15 mm

Signal Type
Connection

 non shielded
Namur

Connection diagramm

 Cable



Dimension (in mm)
Technical Specification
Operating voltage
Max. ripple
No load current
Switching frequency
Operating temperature
Temperature drift
Repeat accuracy
Time delay
Short-circuit proof
Overload protection
Reverse voltage protection
Protection category
EMC-level
Housing material
Material active face
Cable length
Utilisation category
Cable material
Nominal operating voltage
Cable cross

fine-pitch thread M30 x 40

6 - 12 V DC
≤ 5 %
≤ 3,5 mA
300 Hz
-25 ° C to 60 ° C
≤ 10 %
≤ 10 %
300 ms
yes
yes
yes
IP67
DIN EN 60947-5-6:2000-12
Brass, nickel plated
PCB
2 m
DC 13
PVC LIYY blau (blue)
8,2 V DC
2x0,25 mm²



KJ15-M30MN40-NA

Pulsotronic GmbH & Co. KG Neue Schichtstraße 14b 09366 Niederdorf Deutschland +49 (0)37296 930-200

Load Current OFF
Load Current ON
FIT / MTTF acc. to SIEMENS 29500

ca. 0,5 mA
ca. 3,5 mA
16,88 / 6763y

Errors and omissions exceptet