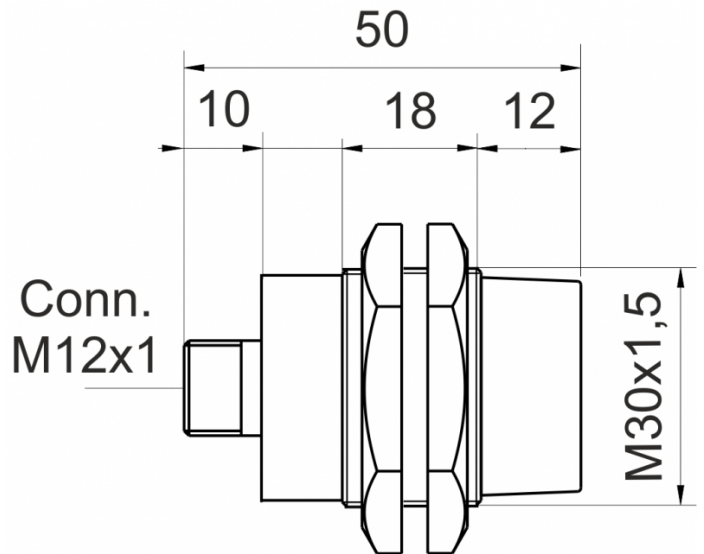
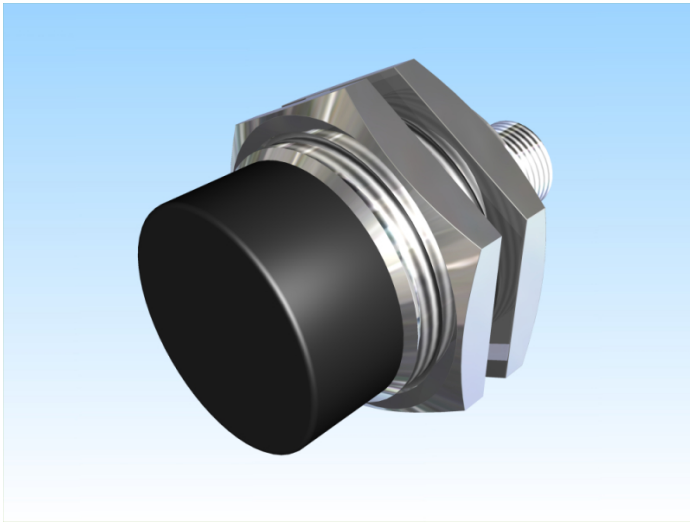


[Article Page](#)

Product Description

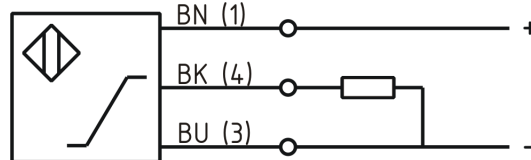
inductive sensor analogue



Name  
 Order number  
 Switching distance  
 Mounting  
  
 Switch type  
  
 Signal Type  
 Connection  
 Connection diagramm

KJ15-M30MN50-ANI-V2  
 08310001032  
 from 3 mm to 15 mm

non shielded  
 analog current  
 analog current  
 connector M12



fine-pitch thread M30 x 50

Dimension (in mm)  
 Technical Specification  
 Special features  
 Operating voltage  
 Max. ripple  
 No load current  
 Switching frequency  
 Operating temperature  
 Temperature drift  
 Repeat accuracy  
 Linearity  
 Time delay  
 Resolution  
 Reverse voltage protection  
 Protection category  
 EMC-level  
 Housing material  
 Material active face  
 Utilisation category  
 Contact material  
 Contact surface material  
 Contact holder  
 Nominal operating voltage

Output Current 4 ... 20 mA  
 11 - 35 VDC  
 $\leq 5 \%$   
 $\leq 10 \text{ mA}$   
 150 Hz  
 $-25 \text{ }^\circ\text{C to } 70 \text{ }^\circ\text{C}$   
 $\pm 5 \%$   
 $\leq 1 \%$   
 $\leq 5 \%$   
 300 ms  
 1,33 mA / mm  
 yes  
 IP67  
 DIN EN 60947-5-7:2004-06  
 Brass, nickel plated  
 PCB  
 DC 13  
 CuSn  
 NiAu  
 PA 6  
 24 V DC



Termination  
internal load resistor

## **KJ15-M30MN50-ANI-V2**

Pulsotronic GmbH & Co. KG Neue Schichtstraße 14b 09366 Niederdorf Deutschland +49 (0)37296 930-200

Connector M12 4pin