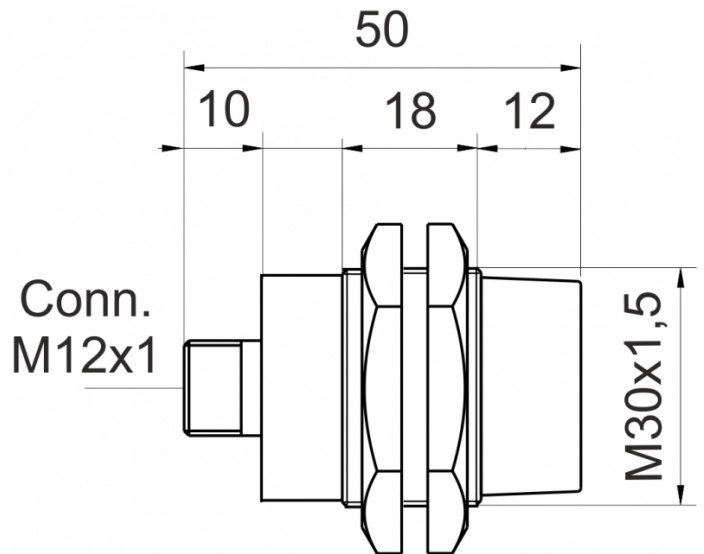
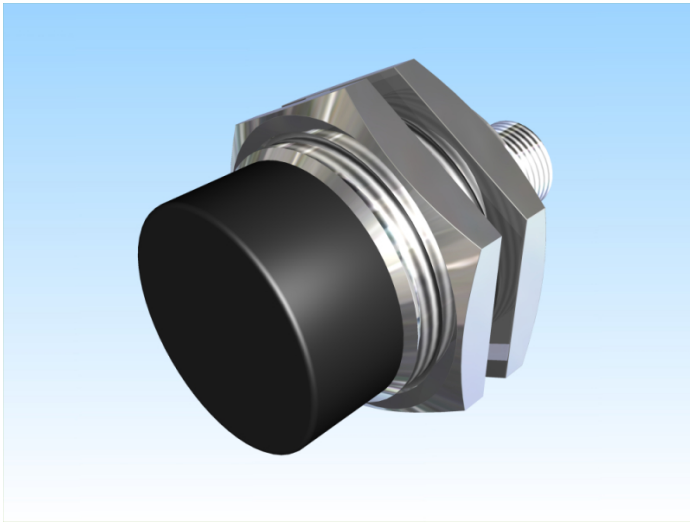


[Article Page](#)

Product Description

inductive sensor analogue




Name
Order number
Switching distance
Mounting

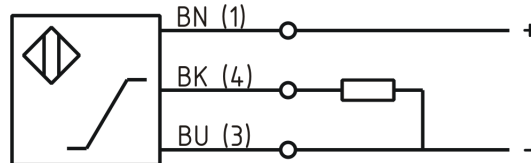
Switch type

Signal Type
Connection
Connection diagramm

KJ15-M30MN50-ANU-V2
08317144665
from 3 mm to 15 mm

 non shielded

 analog
Analog Voltage
connector M12



fine-pitch thread M30 x 50

Dimension (in mm)
Technical Specification
Special features
Operating voltage
Max. ripple
No load current
Switching frequency
Operating temperature
Temperature drift
Repeat accuracy
Linearity
Analog output
Time delay
Protection category
EMC-level
Housing material
Material active face
Utilisation category
Contact material
Contact surface material
Contact holder
Nominal operating voltage

Output Voltage 1 ... 9 Volt
11 - 35 VDC
≤ 10 %
≤ 5 mA
150 Hz
-25 ° C to 70 ° C
+/- 5 %
≤ 1 %
≤ 5 %
Pulso_has1 (Gradient 0,67V / mm)
300 ms
IP67
DIN EN 60947-5-7:2004-06
Brass, nickel plated
PCB
DC 13
CuSn
NiAu
PA 6
24 V DC



KJ15-M30MN50-ANU-V2

Pulsotronic GmbH & Co. KG Neue Schichtstraße 14b 09366 Niederdorf Deutschland +49 (0)37296 930-200

Termination

Connector M12 4pin

Errors and omissions exceptet