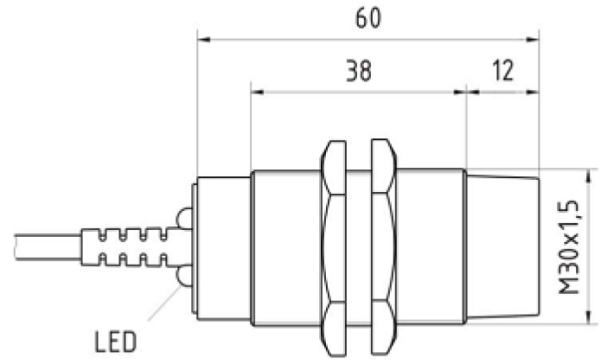
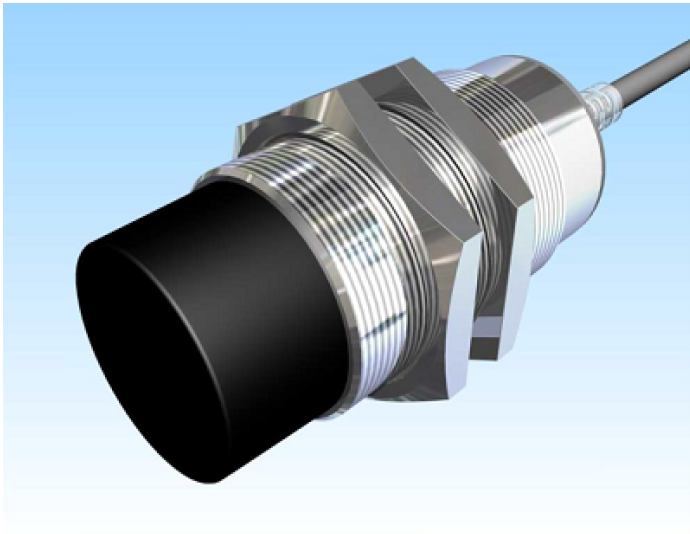


[Article Page](#)

Product Description

inductive sensor AC



Name  
Order number  
Matchcode  
Switching distance  
Mounting

KJ15-M30MN60-AZS  
08317162700  
9916-2700  
15 mm

non shielded

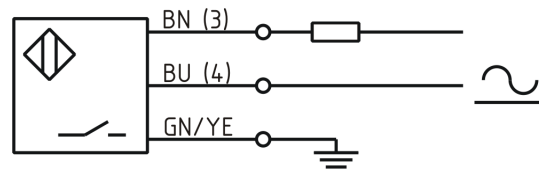
Switch type

N.O.  
AC

Signal Type  
Connection

Cable

Connection diagramm



fine-pitch thread M30 x 60

Dimension (in mm)  
Technical Specification  
Operating voltage  
Voltage drop  
Max. load current  
Leakage current  
Switching frequency  
Switching hysteresis  
Operating temperature  
Temperature drift  
Repeat accuracy  
Switching state  
Short-circuit proof  
Overload protection  
Reverse voltage protection  
Protection category  
EMC-level  
Material active face  
Termination

20 - 250 VAC  
5 V  
300 mA  
≤ 2 mA  
15  
≤ 15 %  
-25 ° C to 70 ° C  
≤ 10 %  
≤ 5 %  
LED  
yes  
yes  
yes  
IP67  
DIN EN 60947-5-2:2008  
PCB  
2m PVC 3x0,5mm<sup>2</sup>



## **KJ15-M30MN60-AZS**

Pulsotronic GmbH & Co. KG Neue Schichtstraße 14b 09366 Niederdorf Deutschland +49 (0)37296 930-200

**Errors and omissions exceptet**