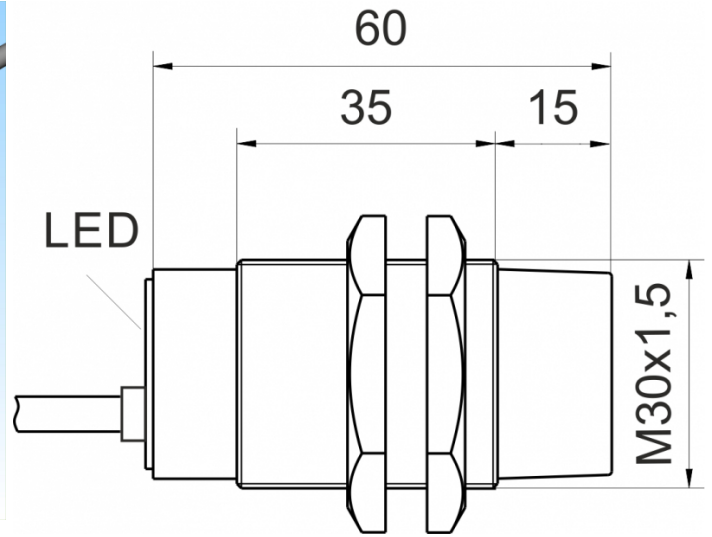
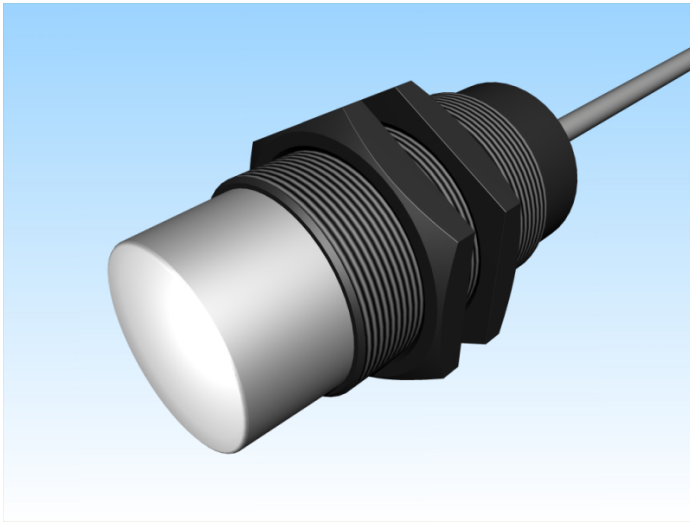


[Article Page](#)

Product Description

inductive sensor weld immune




Name
Order number
Matchcode
Switching distance
Mounting


KJ15-M30MN60-DPS-SF
08317665900
9966-5900
15 mm

 non shielded

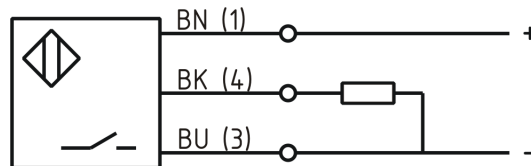
Switch type

 N.O.
DC PNP

Signal Type
Connection

 Cable

Connection diagramm



Dimension (in mm)
Technical Specification
Special features

fine-pitch thread M30 x 60

resistant against welding current up to 20 kA in a distance of 25mm to wires
proofed against alternating magnetic fields up to 150 mT

Operating voltage
Max. ripple
Voltage drop
Max. load current
No load current
Leakage current
Switching frequency
Switching hysteresis
Operating temperature
Temperature drift
Repeat accuracy
Switching state
Time delay
Short-circuit proof
Overload protection

10 - 30 V DC
≤ 10 %
2,4 V
200 mA
≤ 10 mA
≤ 10 μA
15 Hz
≤ 15 %
-25 ° C to 70 ° C
≤ 10 %
≤ 10 %
LED
500 ms
yes
yes

Reverse voltage protection	yes
Protection category	IP67
EMC-level	DIN EN 60947-5-2:2008
Housing material	Brass, nickel plated
Material active face	PCB
Cable length	2 m
Utilisation category	DC 13
Cable material	PVC LIYY grau (grey)
Nominal operating voltage	24 V DC
Cable cross	3x0.34 mm"
FIT / MTTF acc. to SIEMENS 29500	144,25 / 791y

Errors and omissions exceptet