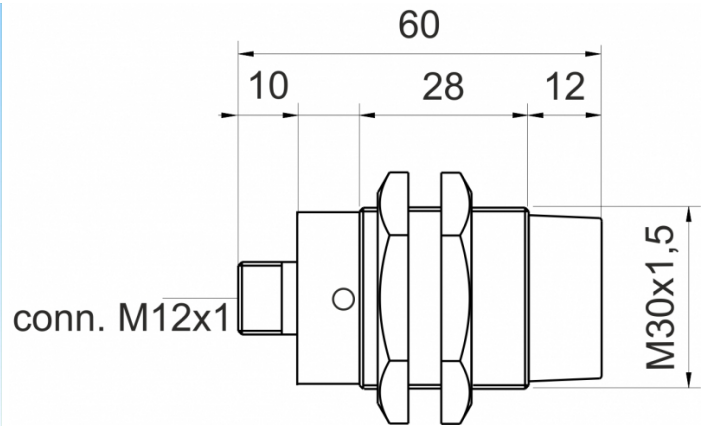
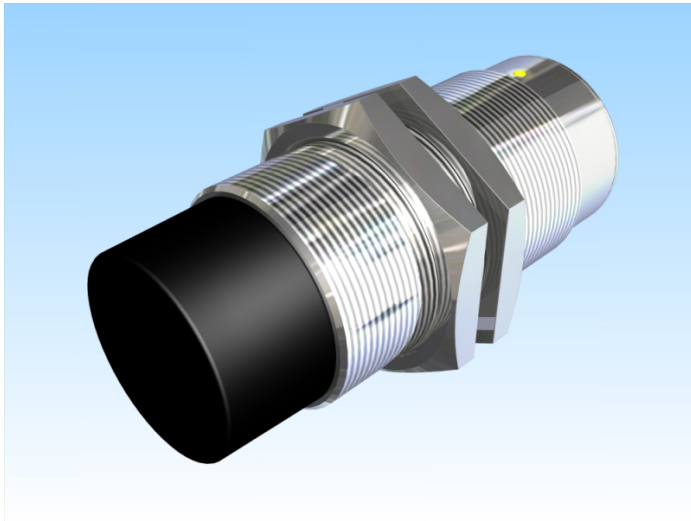


[Article Page](#)

Product Description

inductive sensor temperature immune



Name
Order number
Matchcode
Switching distance
Mounting

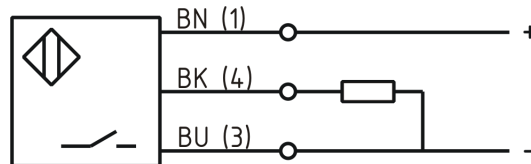
KJ15-M30MN60-DPS-V2-T
08317666165
9966-6165
15 mm

non shielded

Switch type

N.O.
DC PNP
connector M12

Signal Type
Connection
Connection diagramm



fine-pitch thread M30 x 60

Dimension (in mm)
Technical Specification
Special features
Operating voltage
Max. ripple
Voltage drop
Min. load current
Max. load current
No load current
Switching frequency
Switching hysteresis
Operating temperature
Temperature drift
Repeat accuracy
Switching state
Time delay
Short-circuit proof
Overload protection
Reverse voltage protection
Protection category
EMC-level
Housing material

temperature resistant up to 100°C
10 - 30 V DC
≤ 10 %
2,4 V
10 mA
200 mA
≤ 0,01 mA
300 Hz
≤ 15 %
-40 ° C to 100 ° C
≤ 10 %
≤ 10 %
LED
300 ms
yes
yes
yes
IP67
DIN EN 60947-5-2:2008
Brass, nickel plated



KJ15-M30MN60-DPS-V2-T

Pulsotronic GmbH & Co. KG Neue Schichtstraße 14b 09366 Niederdorf Deutschland +49 (0)37296 930-200

Material active face	Ultramid B3ZG3
Utilisation category	DC 13
Contact material	CuSn
Contact surface material	NiAu
Contact holder	PA 6
Nominal operating voltage	24 V DC
Termination	Connector M12 4pin
FIT / MTTF acc. to SIEMENS 29500	53,48 / 2315y

Errors and omissions exceptet