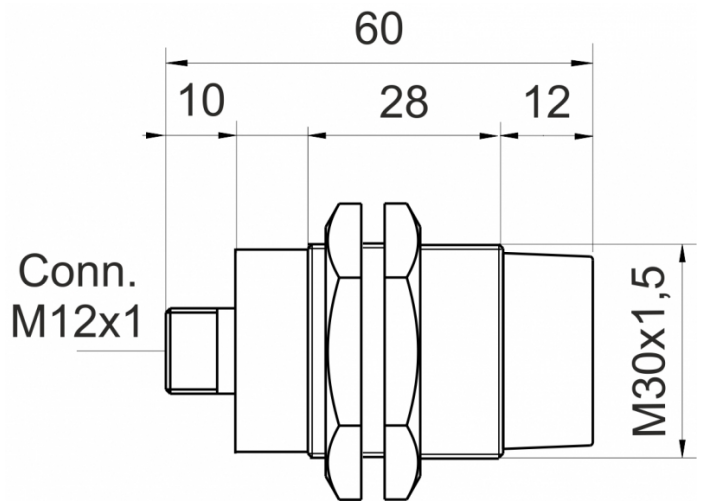
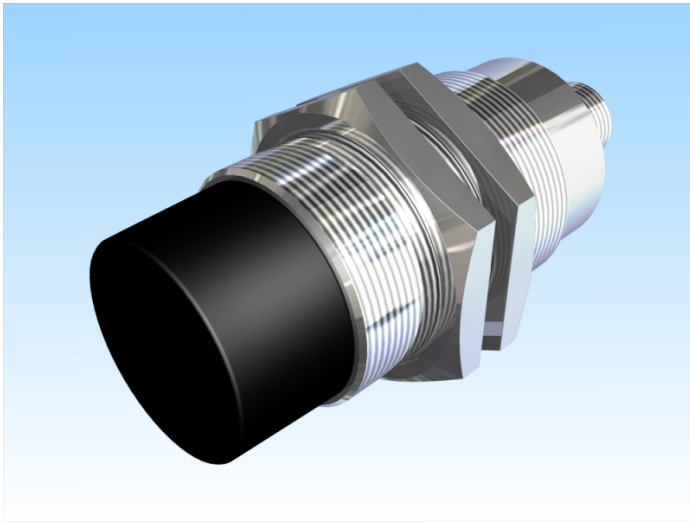


[Article Page](#)

Product Description


inductive sensor NAMUR

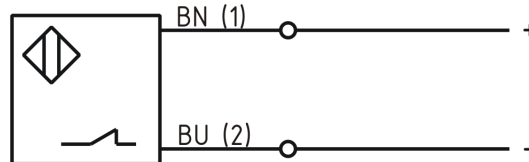


Name
Order number
Matchcode
Switching distance
Mounting

Signal Type
Connection
Connection diagramm

KJ15-M30MN60-NA-V2
08317320865
9932-0865
15 mm

 non shielded
 Namur
 connector M12



fine-pitch thread M30 x 60

Dimension (in mm)
Technical Specification
Operating voltage
Max. ripple
No load current
Switching frequency
Operating temperature
Temperature drift
Repeat accuracy
Time delay
Short-circuit proof
Overload protection
Reverse voltage protection
Protection category
EMC-level
Housing material
Material active face
Utilisation category
Contact material
Contact surface material
Contact holder
Nominal operating voltage
Termination
Load Current OFF
Load Current ON

6 - 12 V DC
 $\leq 5 \%$
 $\leq 3,5 \text{ mA}$
 300 Hz
 $-25 \text{ }^\circ\text{C}$ to $60 \text{ }^\circ\text{C}$
 $\leq 10 \%$
 $\leq 10 \%$
 300 ms
 yes
 yes
 yes
 IP67
 DIN EN 60947-5-6:2000-12
 Brass, nickel plated
 PCB
 DC 13
 CuSn
 NiAu
 Pa 6
 8,2 V DC
 Connector M12 4pin
 ca. 0,5 mA
 ca. 3,5 mA



KJ15-M30MN60-NA-V2

Pulsotronic GmbH & Co. KG Neue Schichtstraße 14b 09366 Niederdorf Deutschland +49 (0)37296 930-200

FIT / MTTF acc. to SIEMENS 29500

17,38 / 6568y

Errors and omissions exceptet