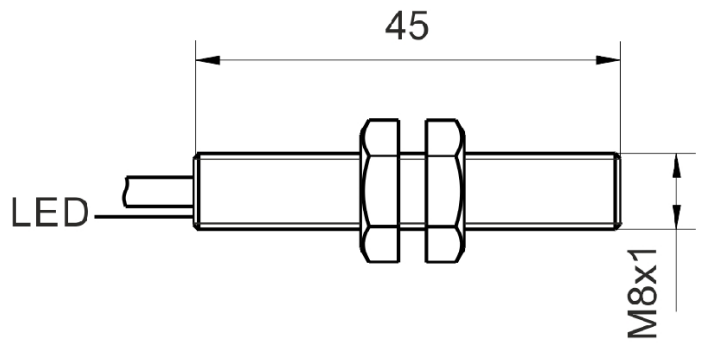
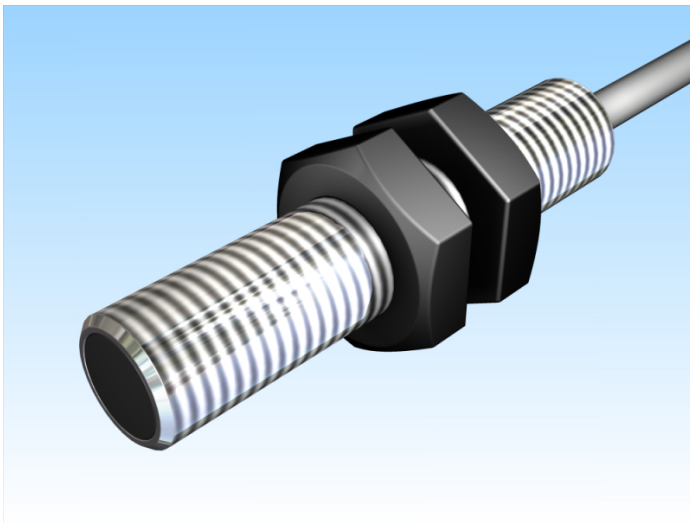


[Article Page](#)

Product Description

inductive sensor temperature immune






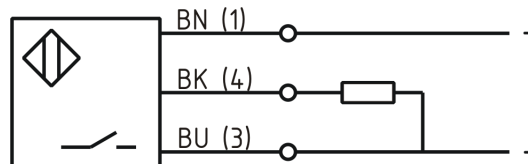
Name
Order number
Switching distance
Mounting

Switch type

Signal Type
Connection

Connection diagramm

KJ1,5-M8MB45-DPS-T
08317616010
1,5 mm
 shielded
 N.O.
DC PNP
 Cable



fine-pitch thread M8 x 45

Dimension (in mm)
Technical Specification
Special features
Operating voltage
Max. ripple
Voltage drop
Max. load current
No load current
Leakage current
Switching frequency
Switching hysteresis
Operating temperature
Temperature drift
Repeat accuracy
Switching state
Time delay
Short-circuit proof
Overload protection
Reverse voltage protection
Protection category
EMC-level
Housing material

temperature-resistant up to 100°C
10 - 30 V DC
≤ 10 %
2,4 V
200 mA
≤ 10 mA
≤ 10 µA
2000
≤ 15 %
-40 ° C to 100 ° C
≤ 10 %
≤ 10 %
LED
100 ms
yes
yes
yes
IP67
DIN EN 60947-5-2:2008
Brass, nickel plated



KJ1,5-M8MB45-DPS-T

Pulsotronic GmbH & Co. KG Neue Schichtstraße 14b 09366 Niederdorf Deutschland +49 (0)37296 930-200

Material active face	PCB
Cable length	2 m
Utilisation category	DC 13
Cable material	PVC LIYY grau (grey)
Nominal operating voltage	24 V DC
Cable cross	3x0.14 mm ²
FIT / MTTF acc. to SIEMENS 29500	44,83 / 2546y

Errors and omissions exceptet