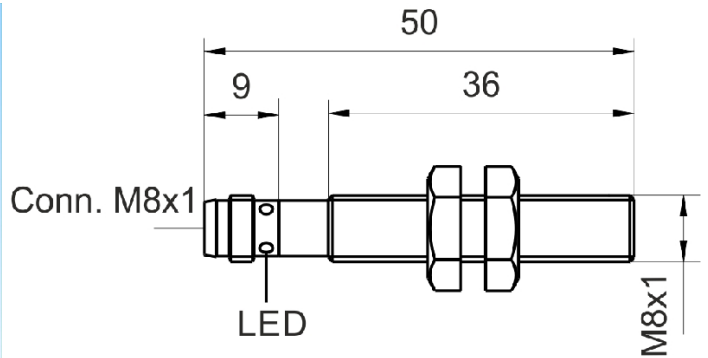
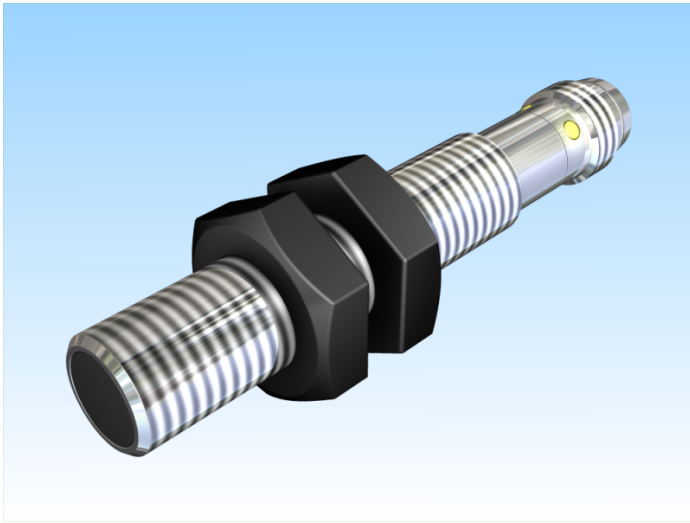


[Article Page](#)

Product Description



inductive sensor temperature immune

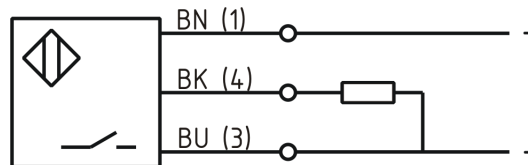


Name
Order number
Switching distance
Mounting

Switch type

Signal Type
Connection
Connection diagramm

KJ1,5-M8MB50-DPS-V1-T
08317616034
1,5 mm
 shielded
 N.O.
DC PNP
connector M8



fine-pitch thread M8 x 50

Dimension (in mm)
Technical Specification
Special features
Operating voltage
Max. ripple
Voltage drop
Max. load current
No load current
Leakage current
Switching frequency
Switching hysteresis
Operating temperature
Temperature drift
Repeat accuracy
Switching state
Time delay
Short-circuit proof
Overload protection
Reverse voltage protection
Protection category
EMC-level
Housing material
Material active face

temperature-resistant up to 100°C
10 - 30 V DC
≤ 10 %
2,4 V
200 mA
≤ 10 mA
≤ 10 µA
2000
≤ 15 %
-25 ° C to 100 ° C
≤ 10 %
≤ 10 %
LED
100 ms
yes
yes
yes
IP67
DIN EN 60947-5-2:2008
Brass, nickel plated
PCB



KJ1,5-M8MB50-DPS-V1-T

Pulsotronic GmbH & Co. KG Neue Schichtstraße 14b 09366 Niederdorf Deutschland +49 (0)37296 930-200

Utilisation category	DC 13
Contact material	CuSn
Contact surface material	NiAu
Nominal operating voltage	24 V DC
Termination	Connector M3 3pin
FIT / MTTF acc. to SIEMENS 29500	45,53 / 2505y

Errors and omissions exceptet