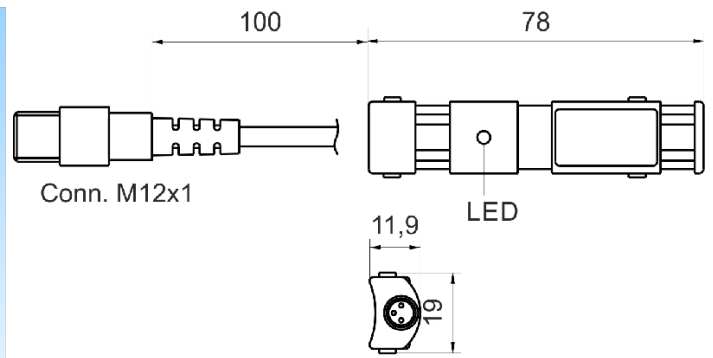
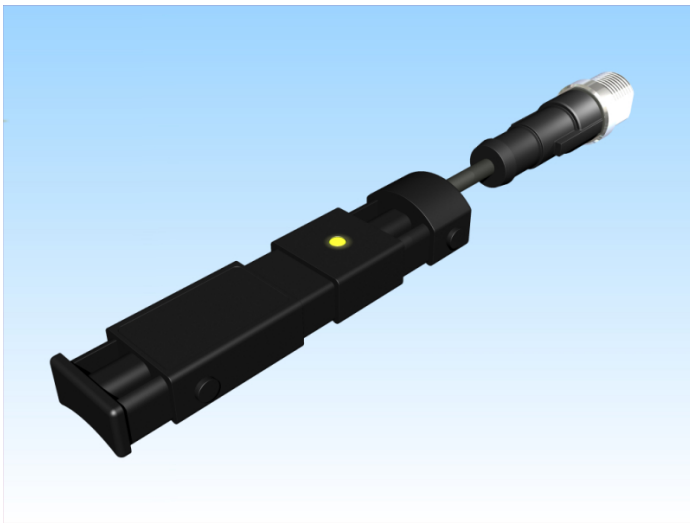


[Article Page](#)

Product Description

inductive tube sensor



Name
Order number
Switching distance
Mounting

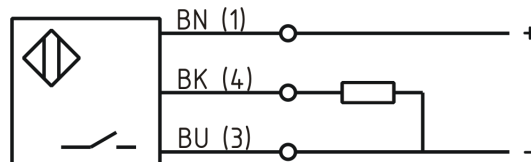
Switch type

Signal Type
Connection
Connection diagramm

KJ16-Q16KN-DPS-X0337
08310001891
16 mm

non shielded

N.O.
DC PNP
connector M12



S 19 x 11 x 78

Dimension (in mm)
Technical Specification
Special features

Tube sensor with output combination

static/dynamic

Operating voltage
Max. ripple
Voltage drop
Max. load current
No load current
Leakage current
Switching hysteresis
Operating temperature
Temperature drift
Repeat accuracy
Switching state
Digital output
Time delay
Short-circuit proof
Overload protection
Reverse voltage protection

Impulse delay 100ms
10 - 30 V DC
≤ 10 %
2,4 V
200 mA
≤ 10 mA
≤ 10 μA
≤ 15 %
-25 ° C to 70 ° C
≤ 10 %
≤ 10 %
LED
static - dynamic output function
300 ms
yes
yes
yes



KJ16-Q16KN-DPS-X0337

Pulsotronic GmbH & Co. KG Neue Schichtstraße 14b 09366 Niederdorf Deutschland +49 (0)37296 930-200

Protection category	IP67
EMC-level	DIN EN 60947-5-2: 2008
Housing material	Plastic
Cable length	100 mm
Utilisation category	DC 13
Cable material	PUR
Cable cross	3x0.34 mm ²
Termination	Pigtail M12 3pin 100mm

Errors and omissions exceptet