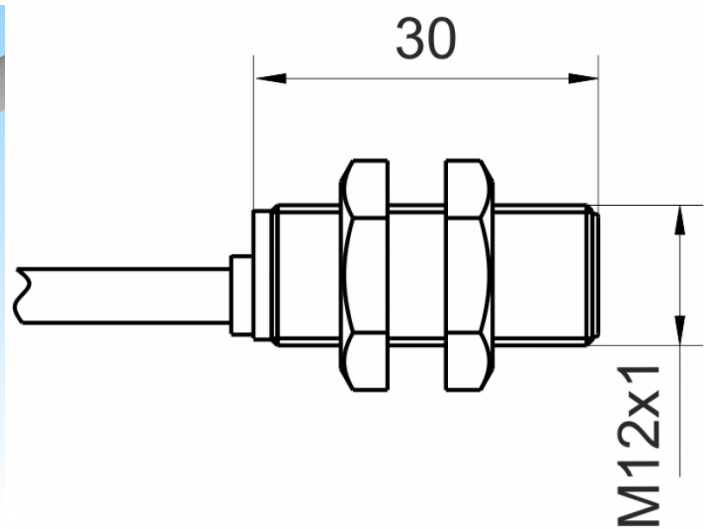
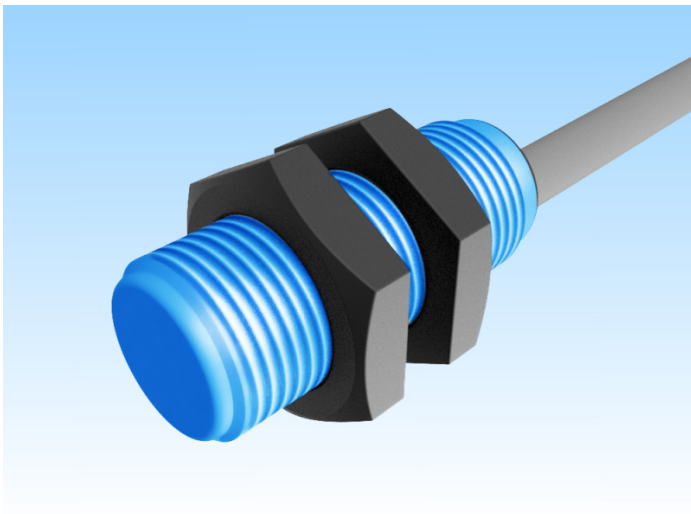


[Article Page](#)

Product Description


inductive sensor NAMUR




Name
Order number
Switching distance
Mounting

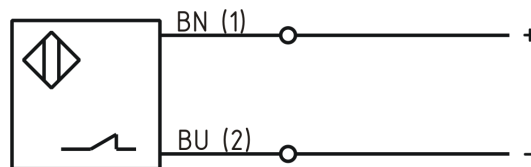
KJ2-M12KB30-NA-X2.3
08313120290
2 mm

Signal Type
Connection

 shielded
Namur

Connection diagramm

 Cable



fine-pitch thread M12 x 30

Dimension (in mm)
Technical Specification
Special features
Operating voltage
Max. ripple
Switching frequency
Operating temperature
Temperature drift
Repeat accuracy
Time delay
Short-circuit proof
Overload protection
Reverse voltage protection
Protection category
EMC-level
Housing material
Cable length
Utilisation category
Cable material
Nominal operating voltage
Cable cross
Current / Voltage ON

Customized type for special voltage divider
6 - 13 V DC
≤ 5 %
2000 Hz
-25 ° C to 70 ° C
≤ 10 %
≤ 10 %
100 ms
yes
yes
yes
IP67
DIN EN 60947-5-6:2000-12
Trogamid
2,3 m
DC 13
PVC LIYY blau (blue)
8,2 V DC
2x0.34 mm²
> 2,5 mA / < 1,35 V



KJ2-M12KB30-NA-X2.3

Pulsotronic GmbH & Co. KG Neue Schichtstraße 14b 09366 Niederdorf Deutschland +49 (0)37296 930-200

Errors and omissions excepted